



# PowerBook 160/165/180 Series

---

PowerBook 160, PowerBook 165,  
PowerBook 180



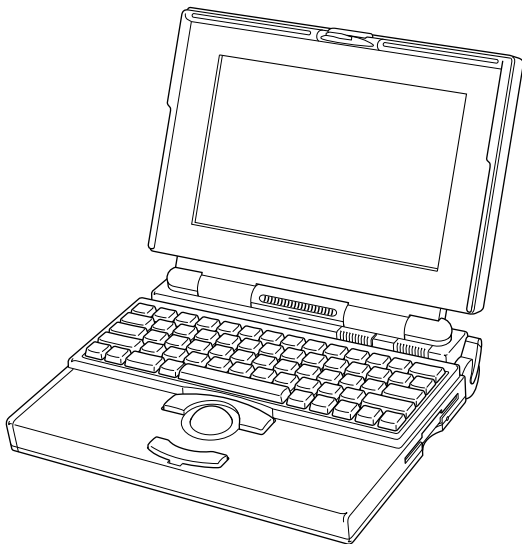


## Basics

---

PowerBook 160/165/180





**Figure: PowerBook 160, 165, 180**

## Overview

This manual includes complete repair procedures for the PowerBook 160, PowerBook 165, and PowerBook 180.





## Repair Strategy

Service the PowerBook 160, 165, and 180 through module exchange and parts replacement. Customers can request on-site service from an Apple Authorized Service Provider Plus (AASP+) Apple Assurance (US only), or request a courier through the Apple Canada Technical Answerline (Canada only). They can also choose carry-in service from an AASP.

### Ordering

Apple Service Providers planning to support the computer systems covered in this manual may purchase Service modules and parts to develop servicing capability. To order parts, use the AppleOrder (US only) or ARIS (Canada only) system and refer to “Service Price Pages.”





Large businesses, universities, and K-12 accounts must provide a purchase order on all transactions, including orders placed through the AppleOrder (US only) or ARIS (Canada only) system.

### **USA Ordering**

US Service Providers not enrolled in AppleOrder may fax their orders to Service Provider Support (512-908-8125) or mail them to

Apple Computer, Inc.  
Service Provider Support  
MS 212-SPS  
Austin, TX 78714-9125

For US inquiries, please call Service Provider Support at 800-919-2775 and select option #1.





## Canadian Ordering

Canadian Service Providers not enrolled in ARIS may fax their orders to Service Provider Support in Canada (1-800-903-5284). For Canadian inquiries, please call Service Provider Support at 905-513-5782 and select option #3.





# Warranty/AppleCare/ARIS

## **US Only**

The PowerBook 160, 165, and 180 are covered under the Apple One-Year Limited Warranty. The AppleCare Service Plan is also available for these products. Service Providers are reimbursed for warranty and AppleCare repairs made to these computers. For pricing information, refer to “Service Price Pages.”

## **Canada Only**

The PowerBook 160, 165, and 180 are covered under first-year AppleCare. The Extended AppleCare Service Plan is also available for these products. Service Providers are reimbursed for first-year warranty and Extended AppleCare repairs made to these computers. For pricing information, refer to “Service Price Pages.”





## Display Compatibility Matrix

	Active Matrix PB 180 661-0748	FSTN, Rev. A PB 160/165 661-0745
Inverter	922-0024	922-0025
Display Cable	630-6273	922-0820
Inverter Cable	936-0106	936-0106

**Important** : PowerBook 160/165/180 family includes two displays—an active matrix and an FSTN display. Each of these displays requires a compatible inverter and display cable; the inverters, display cables, and displays are not interchangeable. Before ordering one of these parts, refer to the display matrix shown above.







## Specifications

PowerBook 160/165/180





## Introduction

You can also find specifications information for this product in the Spec Database, which you can access in one of three ways:

- Launch it directly by double-clicking the Apple Spec Database runtime alias at the top level of the Main Service Source CD.
- Select "Apple Spec Database" from the Service Source drop-down main menu.
- Click the Acrobat toolbar icon for the database, which is near the right end of the toolbar with the letters "SP."





## Processor

### **160 CPU**

Motorola 68030 microprocessor  
25 MHz

### **165 CPU**

Motorola 68030 microprocessor  
33 MHz

### **180 CPU**

Motorola 68030 microprocessor  
33 MHz

### **Coprocessor (180 Only)**

Motorola 68882 floating-point math coprocessor  
33 MHz





**Addressing**

32-bit internal registers

32-bit address bus

32-bit data bus





## Memory

<b>RAM</b>	4 MB pseudostatic RAM (PSRAM) installed on the daughterboard Expandable to 8 MB with 4 MB expansion card Expandable to 14 MB with third-party PSRAM expansion cards
<b>ROM</b>	1 MB
<b>PRAM</b>	256 bytes of parameter memory
<b>VRAM</b>	128K of static video display memory
<b>Clock/Calendar</b>	CMOS custom chip with long-life lithium battery





## Disk Storage

### **Floppy Drive**

19 mm high, internal, 1.4 MB Apple SuperDrive

### **Hard Drive**

2.5 in. hard drives (many capacities)





## I/O Interfaces

### **Floppy Drive**

DB-19 serial port for connecting external floppy drives

### **SCSI**

HDI-30 SCSI port with 1.5 MB/sec. transfer rate

Supports up to five external SCSI devices

Does not provide termination power

Connect SCSI device to computer with HDI-30 SCSI system cable.

### **Apple Desktop Bus**

Apple Desktop Bus (ADB) port (maximum of three ADB devices is recommended)

200 mA maximum current draw for all ADB devices





<b>Serial</b>	Two RS-422 serial ports; mini DIN-8 connectors
<b>Sound</b>	Monaural sound-in port Stereo sound-out headphone jack, which plays CD audio tracks in stereo and computer-generated sounds in mono
<b>Video</b>	Video-out port; 8 bit, 256 color video support Supports Macintosh monitors up to 16-in. color and VGA monitors
<b>Power Adapter</b>	Power adapter port
<b>Security</b>	Slot for third-party security equipment
<b>Modem</b>	Slot for optional internal modem







## I/O Devices

### **Keyboard**

Built-in keyboard with standard Macintosh layout  
63 keys domestic; 64 keys ISO  
Two-level tilt adjustment

### **Trackball**

30 mm diameter, dual button  
ADB interface

### **Microphone**

Electret, omnidirectional  
Output voltage of 4 mV, peak to peak





## Sound and Video

### **Sound Generator**

Apple sound chip provides 8-bit sound capable of driving stereo headphones or other stereo equipment through the sound jack  
8-bit sound input, sampled at 11 or 22 kHz

### **160/165 Video Display**

10 in. (254 mm) diagonal screen  
Flat-panel, film-compensated supertwist nematic (FSTN) liquid crystal display  
CCFL on-demand backlight  
16 shades of gray; 640 by 400 pixels

### **180 Video Display**

10 in. (254 mm) diagonal screen  
Flat-panel, active-matrix liquid crystal display  
CCFL on-demand backlight  
16 shades of gray; 640 by 400 pixels





## Electrical

### **Main Battery**

Nickel cadmium (NiCad), 2.5 Ah

Provides 2-3 hours of usage before recharging

Recharge time: 3 hours

500 power cycles capacity

### **PRAM Battery**

3 V lithium

### **Power Adapter**

110-220 VAC line voltage

17 W, 50-60 Hz

US, Japanese, United Kingdom, Australian, and European versions





## Physical

### **Dimensions**

Height: 2.25 in. (5.7 cm)

Width: 11.25 in. (28.6 cm)

Depth: 9.3 in. (23.6 cm)

### **Weight**

6.8 lb. (3.1 kg) with battery





## Environmental

**Operating  
Temperature**

50-104° F (10-40° C)

**Storage  
Temperature**

-13 to 140° F (-25 to 60° C)

**Relative Humidity**

20-80% noncondensing

**Altitude**

0-15,000 ft. (0-4722 m)

**Operational Altitude**

0-10,000 ft. (0-3048 m)





## Other

### **Fax/Data Modem**

Internal 2400-baud modem with fax send at 9600 baud (includes fax send software)

300/1200/2400 bps transmission rates

Serial binary and asynchronous protocols

Error correction and data compression: MNP 4, 5 and V.42, V.42bis



**Express Modem**

Internal 14,400-baud modem with fax send/receive at 9600 baud

300-14,400 bps data transmission rates

2400/4800/7200/9600 bps transmission rates

Full duplex operation; asynchronous or framed modes

Error correction: V.42 compliance (MNP 2-4)

Data compression: V.42bis (4 to 1 compression) and MNP-5 (2 to 1 compression)

Requires 300K of system RAM

**SCSI Adapter**

Enables connection between PowerBook computer and desktop Macintosh (PowerBook appears as a hard drive on the desktop)





# Troubleshooting

PowerBook 160/165/180







## General

The Symptom Charts included in this chapter will help you diagnose specific symptoms related to your product. Because cures are listed on the charts in the order of most likely solution, try the first cure first. Verify whether or not the product continues to exhibit the symptom. If the symptom persists, try the next cure. (Note: If you have replaced a module, reinstall the original module before you proceed to the next cure.)

If you are not sure what the problem is, or if the Symptom Charts do not resolve the problem, refer to the Flowchart for the product family.

For additional assistance, contact Apple Technical Support.





If this does not reset the power manager,

- 1 Remove the AC adapter and the battery.
- 2 Let the unit sit without power hooked up for 3–5 minutes.
- 3 Using two paper clips, simultaneously hold down the reset and interrupt buttons for 5–10 seconds.
- 4 Reinstall the battery and, if necessary, reconnect the AC adapter.
- 5 Turn on the computer.





# Symptom Charts

## Startup

RAM failure occurs  
(eight-tone error  
chord sequence sounds  
after startup chord)

- 1 Reseat PSRAM expansion card and check connection.
- 2 Replace PSRAM expansion card.
- 3 Replace daughterboard.
- 4 Replace motherboard.

Hardware failure  
occurs (four-tone  
error chord sequence  
sounds after startup  
chord)

- 1 Disconnect hard drive data cable and restart computer. If startup sequence is normal, reconnect cable and retest.
- 2 Replace hard drive.
- 3 Disconnect floppy drive cable and restart computer. If startup sequence is normal, reconnect cable and retest.
- 4 Replace floppy drive.
- 5 Replace motherboard.





## Startup

Screen displays  
checkerboard pattern;  
no startup chime

- 1 Reseat RAM expansion card.
- 2 Replace RAM expansion card.
- 3 Replace daughterboard.
- 4 Reseat display cable.





## Power

Screen is blank;  
computer doesn't  
respond

- 1 Restart computer.
- 2 Connect power adapter and restart computer in 3-4 minutes.
- 3 Try known-good, charged main battery.
- 4 Check all interconnect board, daughterboard, and motherboard connections.
- 5 Reset the power manager.
- 6 Replace keyboard.
- 7 Replace interconnect board.
- 8 Replace daughterboard.
- 9 Replace motherboard.





## Power

After you remove main battery, some Control Panel settings are different

- 1 Check cables.
- 2 Replace interconnect board.
- 3 Replace daughterboard.
- 4 Replace motherboard.

Power adapter is plugged in, but battery DA does not indicate charger is connected

- 1 This is normal for fully charged battery.
- 2 Check battery charger connection.
- 3 Try known-good, charged main battery.
- 4 Try known-good power adapter.
- 5 Check battery thermistor cable connection.
- 6 Replace motherboard.





## Power

Low-power warning appears

- 1 Recharge battery or attach power adapter.
- 2 Verify that peripherals are low-power.
- 3 Remove external devices or connect power adapter.
- 4 Try known-good, charged main battery.
- 5 Try known-good power adapter.
- 6 Replace motherboard.

Computer runs when plugged into wall outlet but not on battery power; battery voltage is within tolerance

- 1 Reseat battery to make sure it is mating with contacts on motherboard.
- 2 If motherboard includes removable fuse, replace fuse.
- 3 Replace motherboard.
- 4 Return computer to Apple.





## Video

Pixel is always white

PowerBook 180

If there are more than five voids (pixels that are always white), or two or more voids within one inch of each other, replace display (CPRC/international repairers only) or return computer to Apple.

PowerBooks 160 and 165

Replace display.

Pixel is always black

PowerBook 180

Replace display (CPRC/international repairers only) or return computer to Apple.

PowerBooks 160 and 165

Replace display.







## Video

Row or partial row of pixels never comes on (white line)

### PowerBook 160/165

- 1 Check cables.
- 2 Replace display cable.
- 3 Replace display. If PowerBook has serial number below FC247xxxxxx or CK247xxxxxx, replace both display and daughterboard. (Do not replace Rev. B daughterboard.)
- 4 Replace interconnect board.

### PowerBook 180

- 5 Check cables.
- 6 Replace display cable.
- 7 Replace display (CPRC/international repairers only) and install System Enabler, v. 1.01.
- 8 Replace interconnect board.
- 9 Return computer to Apple.





## Video

Row or partial row of pixels is always on (black line)

### PowerBook 160/165

- 1 Check cables.
- 2 Replace display cable.
- 3 Replace display.
- 4 Replace interconnect board.

### PowerBook 180

- 5 Check cables.
- 6 Replace display cable.
- 7 Replace interconnect board.
- 8 Replace display (CPRC/international only) or return computer to Apple.





## Video

Thin white line is  
always on at middle of  
screen

PowerBook160/165  
Thin white line is normal.

PowerBook 180  
Replace display (CPRC/international repairers only) or return  
computer to Apple.





## Video

Display is very light  
or totally white

- 1 Adjust screen contrast.
- 2 Check display cable, inverter board, interconnect board, daughterboard, and motherboard connections.
- 3 Replace inverter board.
- 4 Replace interconnect board.
- 5 Replace display cable.
- 6 PowerBook 160/165: Replace display.
- 7 Replace daughterboard.
- 8 Replace motherboard.
- 9 PowerBook 180: Replace display (CPRC/international repairers only) or return computer to Apple.





## Video

Rainbow colors visible from extreme viewing angles

PowerBook 160/165  
Such colors are normal for FSTN screens.

Screen brightness is not uniform

PowerBook 160/165  
Irregularity in screen brightness is normal. Adjust contrast and brightness to diminish effect.

PowerBook 180:  
Replace display (CPRC/international repairers only) or return computer to Apple.





## Video

Display stopped working or dimmed but is fine now

PowerBook 160/165

If temperature is in the approximate range of under 5 or over 40 degrees centigrade, this reaction is normal.





## Video

Backlight doesn't operate

- 1 Verify that cables are not pinched or severed.
- 2 Check display cable, inverter board, interconnect board, daughterboard, and motherboard connections.
- 3 Replace inverter board.
- 4 Replace inverter display cable.
- 5 Replace interconnect board.
- 6 Replace display cable.
- 7 PowerBook 160/165: Replace display.
- 8 Replace daughterboard.
- 9 Replace motherboard.
- 10 PowerBook 180: Replace display (CPRC/international repairers only) or return computer to Apple.





## Video

Screen goes blank

- 1 Press any key to wake computer from system sleep.
- 2 Check display cable connection.
- 3 Reseat daughterboard.
- 4 Replace daughterboard.







## Video

No display, but computer appears to operate correctly

- 1 Adjust screen contrast.
- 2 Check display cable, inverter board, interconnect board, daughterboard, and motherboard connections.
- 3 Connect power adapter.
- 4 Replace inverter board.
- 5 Replace interconnect board.
- 6 Replace display cable.
- 7 PowerBook 160/165: Replace display.
- 8 Replace daughterboard.
- 9 Replace motherboard.
- 10 PowerBook 180: Replace display (CPRC/international repairers only) or return computer to Apple.





## Video

Audio and video present, but internal floppy drive does not operate

- 1 Try known-good floppy disk.
- 2 Check floppy drive cable connection.
- 3 Replace floppy drive cable.
- 4 Replace floppy drive.
- 5 Replace daughterboard.
- 6 Replace motherboard.





## Hard Drive

Internal hard drive  
does not operate

- 1 Disconnect external SCSI devices.
- 2 Check internal hard drive cable connection.
- 3 Use HD SC Setup to reinitialize drive.
- 4 Replace internal hard drive cable.
- 5 Replace internal hard drive.
- 6 Replace motherboard.





## Floppy Drive

Audio and video present, but internal floppy drive does not operate

- 1 Try known-good floppy disk.
- 2 Check floppy drive cable connection.
- 3 Replace floppy drive cable.
- 4 Replace floppy drive.
- 5 Replace daughterboard.
- 6 Replace motherboard.

Disk ejects while booting; display shows Mac icon with blinking X

- 1 Try known-good system disk.
- 2 Verify that trackball or mouse button is not stuck.
- 3 Check floppy drive cable connection.
- 4 Replace floppy drive cable.
- 5 Replace floppy drive.
- 6 Replace motherboard.





## Floppy Drive

Disk does not eject

- 1 Switch off system and hold mouse button down while you switch system on.
- 2 Insert opened paper clip into hole beside drive.
- 3 Check floppy drive cable connection.
- 4 Replace floppy drive cable.
- 5 Replace floppy drive.
- 6 Replace daughterboard.
- 7 Replace motherboard.

Disk initialization fails

- 1 Try known-good floppy disk.
- 2 Install inverter shield (if absent).
- 3 Check floppy drive cable connection.
- 4 Replace floppy drive cable.
- 5 Replace floppy drive.





## Floppy Drive

Read/write/copy  
error

- 1 Try known-good floppy disk.
- 2 Install inverter shield if absent.
- 3 Check floppy drive cable connection.
- 4 Replace floppy drive cable.
- 5 Replace floppy drive.





## Peripherals

After you connect external SCSI device, computer does not boot

- 1 Switch on external SCSI device before starting computer.
- 2 Check cable connections.
- 3 Verify that standard Apple terminator terminates SCSI chain at beginning and end.
- 4 Verify that SCSI select switch setting on external device is unique.
- 5 Verify operation of internal hard drive.
- 6 Try known-good external SCSI device.
- 7 Replace motherboard.

Cursor does not move when you are using trackball

- 1 Restart computer.
- 2 Check cables.
- 3 Check interconnect board, daughterboard, and motherboard connections.
- 4 Try low-power mouse. If cursor moves, replace trackball or keyboard.





## Peripherals

- 1 Replace interconnect board.
- 2 Replace daughterboard.
- 3 Replace motherboard.

Cursor intermittently  
does not move or  
moves erratically

- 1 Restart computer.
- 2 Clean ball and rollers of trackball.
- 3 Check cables.
- 4 Replace trackball.
- 5 Replace keyboard.
- 6 Replace interconnect board.
- 7 Replace motherboard.







## Peripherals

Cursor moves, but clicking trackball button has no effect

- 1 Restart computer.
- 2 Check interconnect board, daughterboard, and motherboard connections.
- 3 Replace trackball.
- 4 Replace keyboard.
- 5 Replace interconnect board.
- 6 Replace daughterboard.
- 7 Replace motherboard.

Cursor does not move when you are using mouse

- 1 Check mouse connection to ADB port.
- 2 Restart computer.
- 3 Clean mouse ball and inside mouse.
- 4 Replace mouse.
- 5 Replace motherboard.





## Peripherals

No response to any key on keyboard

- 1 Reset power manager.
- 2 Check connections of keyboard to interconnect board, and interconnect board to daughterboard.
- 3 Replace keyboard.
- 4 Replace interconnect board.
- 5 Replace daughterboard.

Known-good direct-connect printer does not print

- 1 Verify that System is 7.1 or later.
- 2 Verify that Chooser and Control Panel settings are correct.
- 3 Check cables.
- 4 Replace printer interface cable.
- 5 Try known-good printer.
- 6 Replace daughterboard.
- 7 Replace motherboard.





## Peripherals

Known-good network  
printer does not print

- 1 Verify that System is 7.1 or later.
- 2 Verify that Chooser and Control Panel settings are correct.
- 3 Check cables.
- 4 Replace printer interface cable.
- 5 Try known-good printer. If printer works, troubleshoot network. Refer to Networks manual.
- 6 Replace daughterboard.
- 7 Replace motherboard.

Device connected to  
external modem port  
doesn't work

- 1 Verify that External Modem is selected in CDEV.
- 2 Verify that System is 7.1 or later.
- 3 Check cables.
- 4 Test device with known-good computer.
- 5 Replace daughterboard.
- 6 Replace motherboard.





## Peripherals

I/O devices are unrecognized or garbage is transmitted or received

- 1 Verify that System is 7.1 or later.
- 2 Check cables.
- 3 Verify that SCSI device has standard Apple terminator.
- 4 Verify that SCSI select switch setting on external device is unique.
- 5 Test device with known-good computer.
- 6 Replace daughterboard.
- 7 Replace motherboard.





## Internal Modem

Internal modem options do not appear in CDEV

- 1 Remove and reseal modem card.
- 2 Verify that System is 7.1 or later.
- 3 Replace modem card.
- 4 Replace motherboard.

Modem does not respond properly to AT command set instructions

- 1 Verify that baud rate and data format settings of communications application are compatible with internal modem and remote modem.
- 2 Check phone cord connection and operation.
- 3 Remove and reseal modem card.
- 4 Verify that System is 7.1 or later.
- 5 Replace modem card.





## Internal Modem

Strange mix of characters appears on screen

- 1 Verify that baud rate and data format settings of communications application are compatible with internal modem and remote modem.
- 2 Check phone cord connection and operation.
- 3 Remove and reseal modem card.
- 4 Verify that System is 7.1 or later.
- 5 Replace modem card.
- 6 Replace daughterboard.
- 7 Replace motherboard.

Modem interferes with system sound

- 1 Remove and reseal modem card.
- 2 Replace modem board.
- 3 Replace interconnect card.
- 4 Replace motherboard.





## Internal Modem

Modem does not respond to incoming call

- 1 If computer is in sleep mode, verify that Wake On Ring option in CDEV is selected.
- 2 Check phone cord connection and operation.
- 3 Replace modem card.
- 4 Replace motherboard.

Modem has no sound output

- 1 Verify that Control Panel volume setting is above 0.
- 2 Replace modem card.
- 3 Replace interconnect card.
- 4 Replace motherboard.

Modem connects but does not communicate with remote modem

- 1 Verify that remote modem needs error correction (error correction is internal modem default).
- 2 Type "AT &Q0" to disable error correction.





## Miscellaneous

Screen goes blank and computer shuts down every few minutes

Adjust sleep delays in Control Panel or connect power adapter.

Application seems to run slower after few seconds

- 1 Disable System Rest. (See owner's manual.)
- 2 Connect power adapter.

Hard drive is slow to respond, or screen goes blank too often

Adjust sleep delays in Control Panel or connect power adapter.







## Miscellaneous

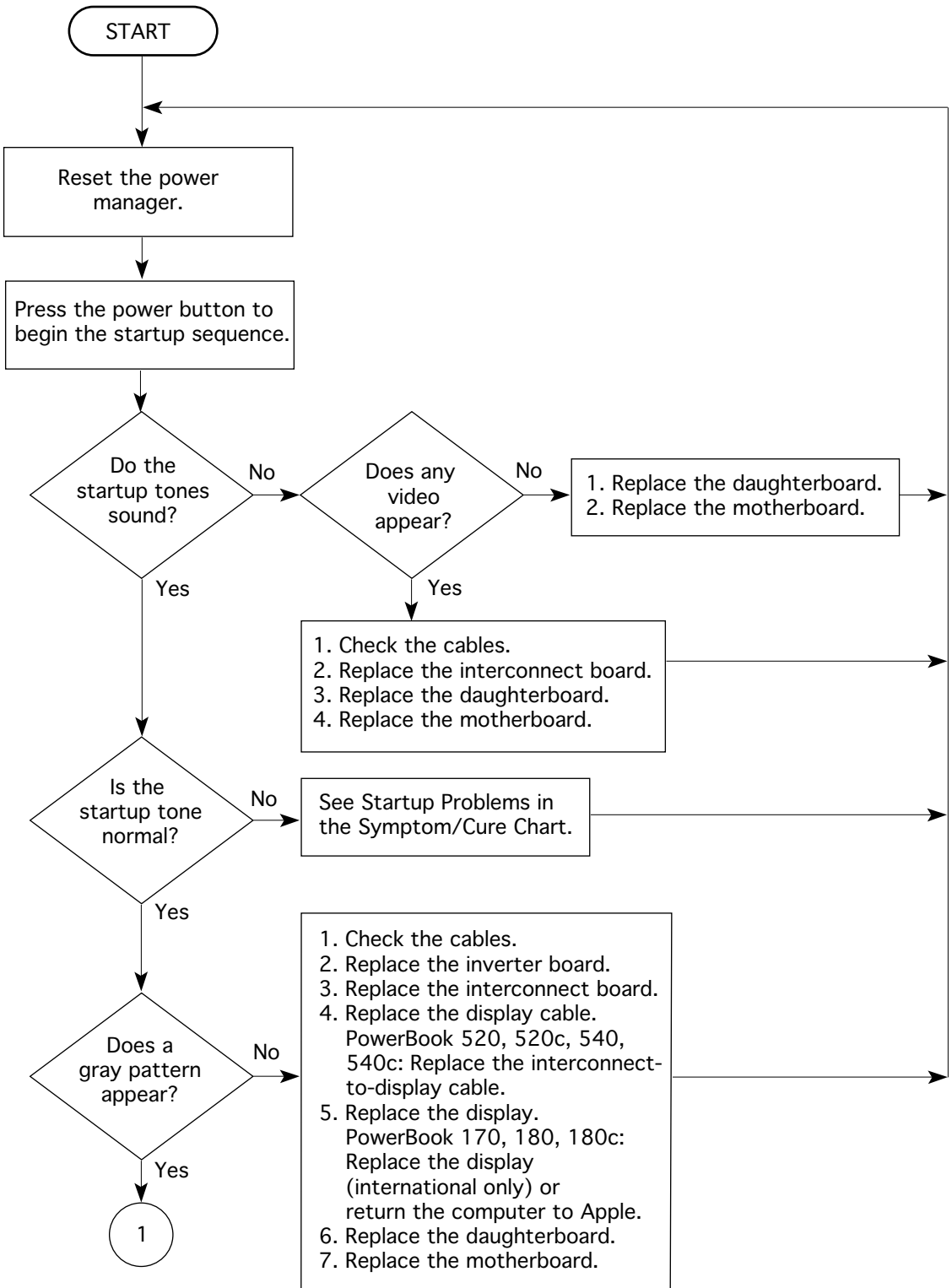
No sound from speaker

- 1 Verify that volume setting in Control Panel is above 0.
- 2 Verify that no external speaker is plugged in.
- 3 Check connections of speaker to interconnect board, interconnect board to daughterboard, and daughterboard to motherboard.
- 4 Replace interconnect board.
- 5 Replace daughterboard.
- 6 Replace motherboard.



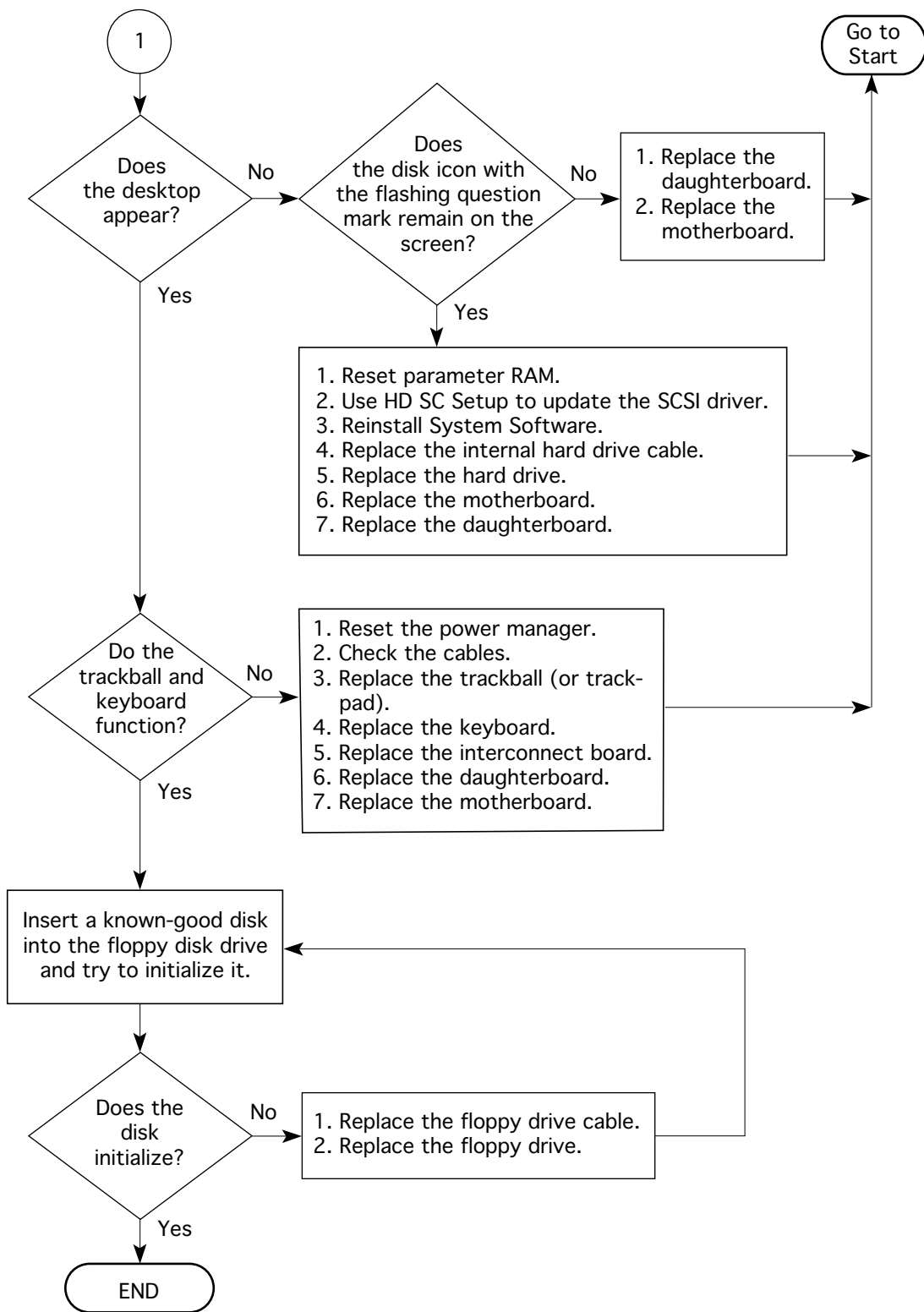


# Startup Problems Flowchart





### Startup Problems Flowchart (continued)



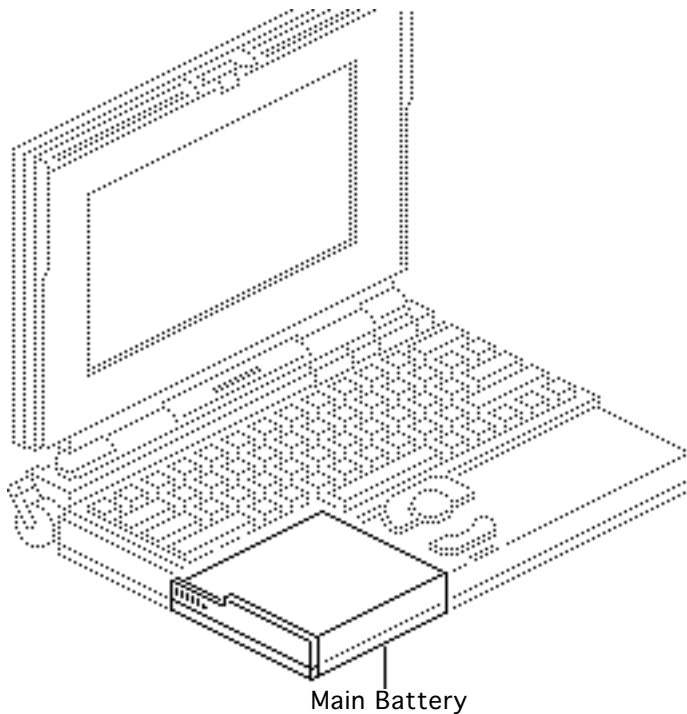


## Take Apart

---

PowerBook 160/165/180





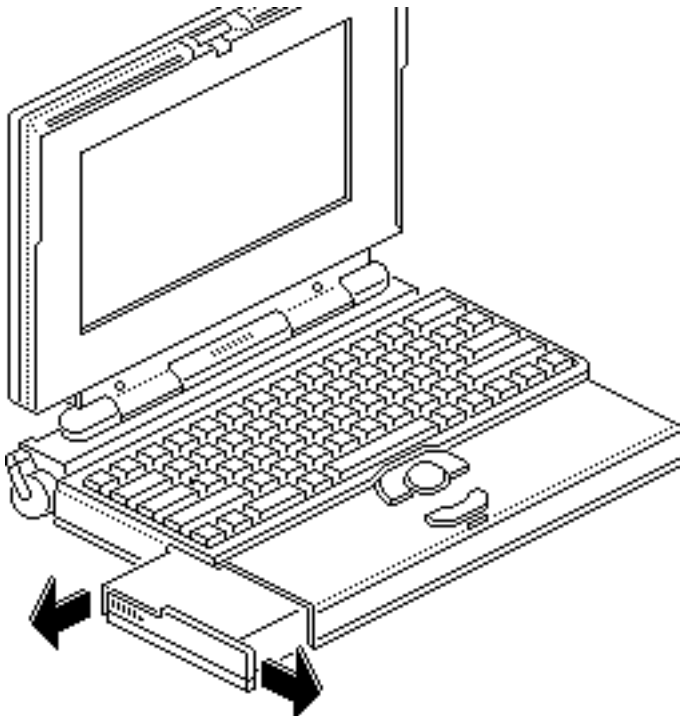
## Main Battery

Before you begin, disconnect the power adapter.

**Note:** This procedure also covers removal of the main battery door.

**Important:** Before removing the main battery, use the Macintosh Shut Down command. Otherwise, all RAM contents will be lost.

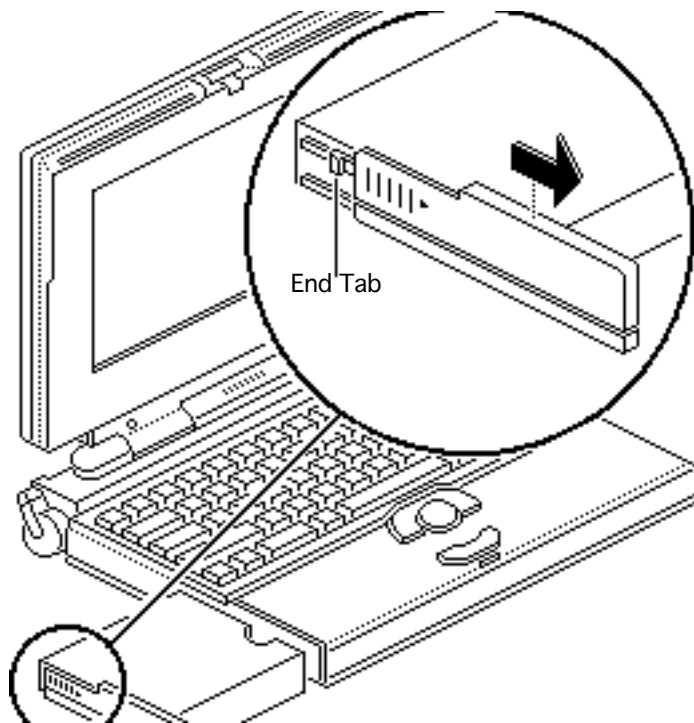




**⚠ Warning:** The main battery contains toxic materials. Review battery-handling and disposal instructions in Bulletins/Safety.

- 1 Slide open the battery door.
- 2 Using the battery door as a handle, pull out the main battery.





- 3 Slide the battery door completely open.
- 4 Pull the end tab until it releases and remove the door from the battery.

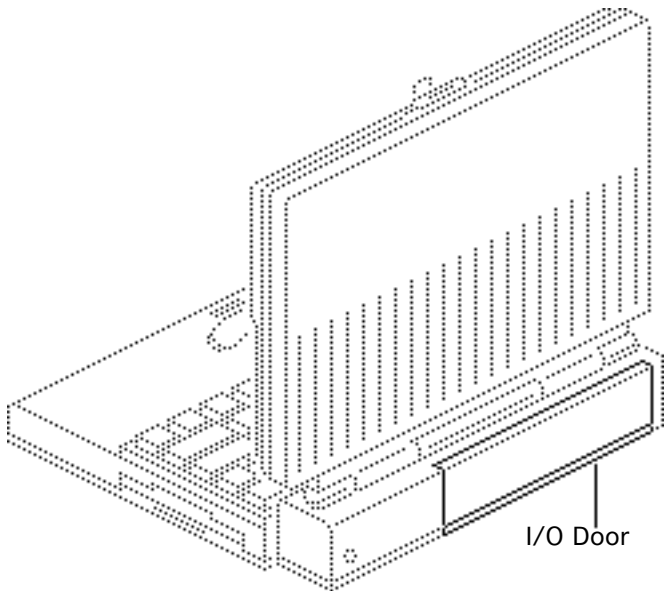




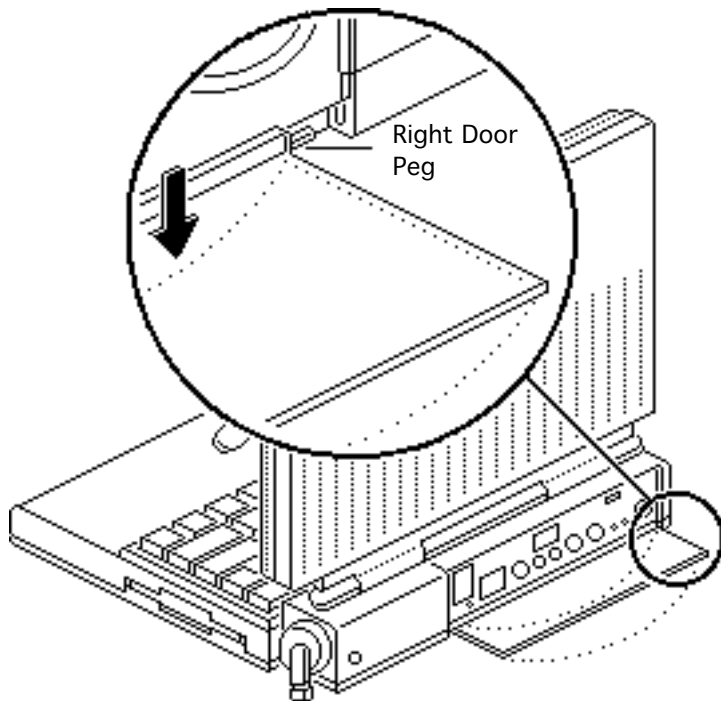
## I/O Door

No preliminary steps are required before you begin this procedure.

**Caution:** The PowerBook 160/165/180 contains CMOS devices that are very susceptible to ESD damage. Review the ESD precautions in Bulletins/Safety.

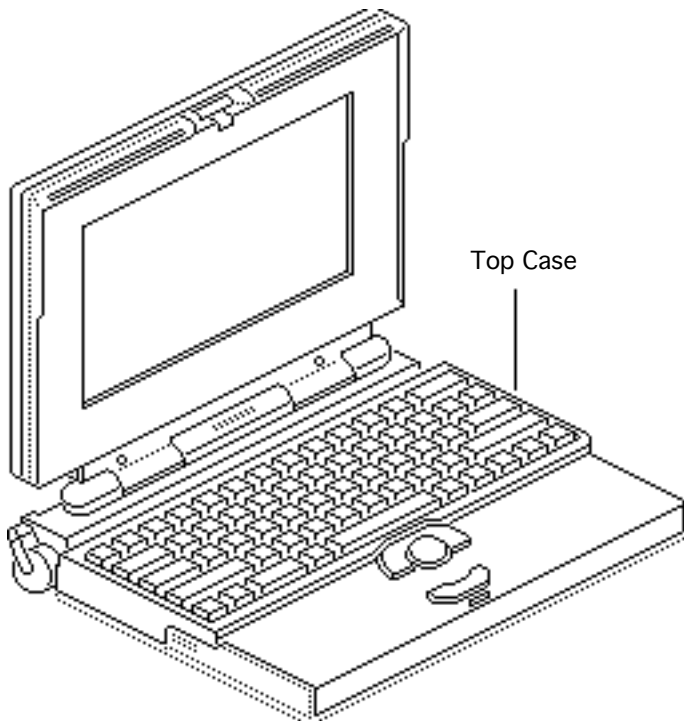






- 1 Open the I/O door.
- 2 Carefully bend the door so that the middle bows downward and unhinge the two bottom door pegs.





Top Case

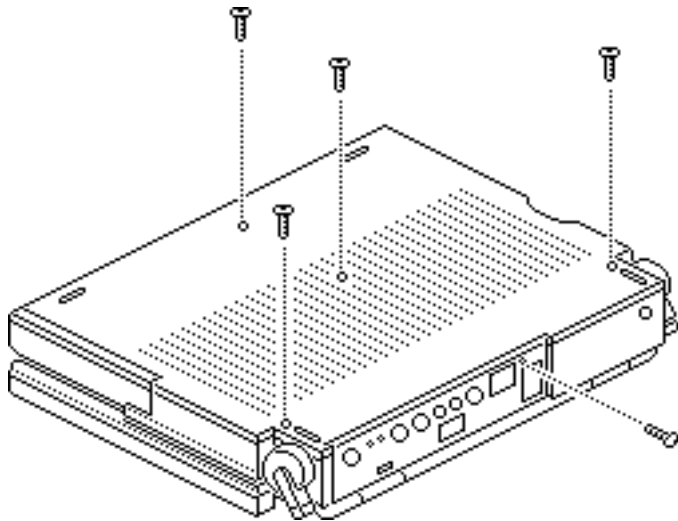
## Top Case

Before you begin, remove the following:

- Main battery
- I/O door

**Caution:** The PowerBook 160/165/180 contains CMOS devices that are very susceptible to ESD damage. Review the ESD precautions in Bulletins/Safety.

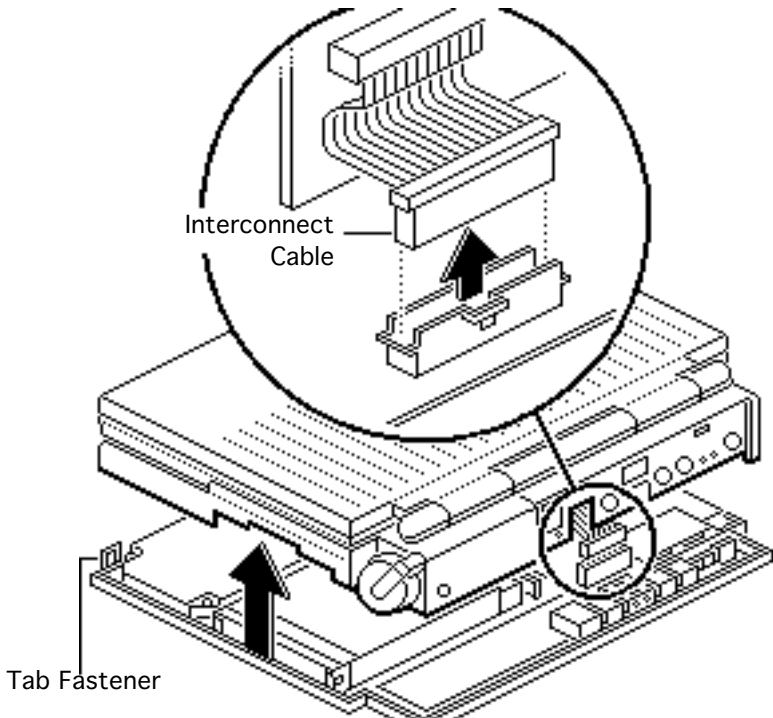




**Note:** Use a T-8 torx driver to remove the small screw from the rear connector panel and a T-10 torx driver to remove the other case screws.

- 1 Remove the five torx screws from the bottom case.

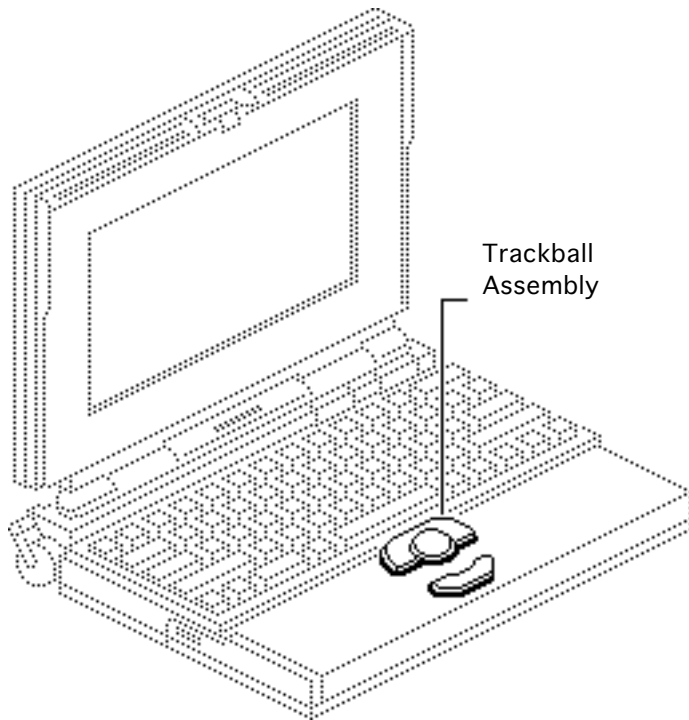




- 2 Lift the back of the top case and disconnect the interconnect cable.
- 3 Lift off the top case and unhook the two tab fasteners from the front of the bottom case.

**Replacement Caution:**  
When connecting the display cable connector, fold the cable as shown. If it is not folded correctly, the cable could short.





Trackball  
Assembly

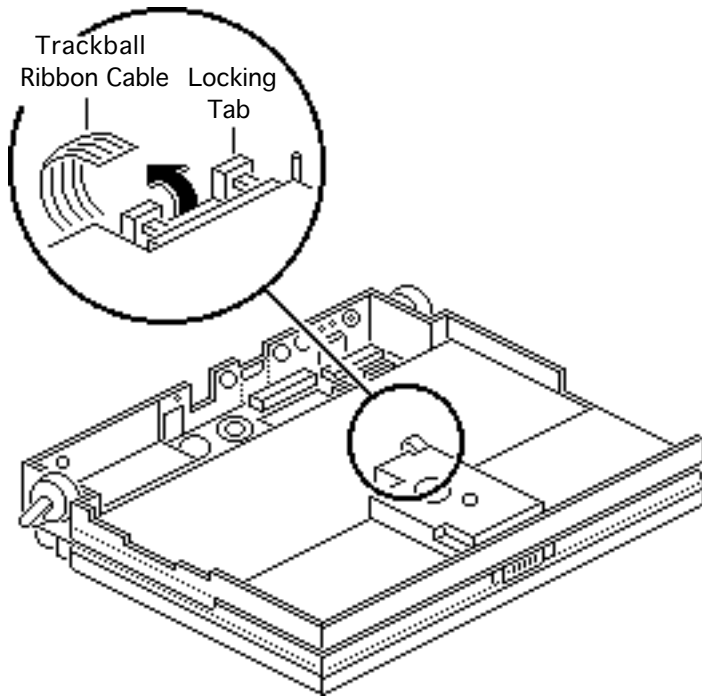
## Trackball Assembly

Before you begin, remove the following:

- Main battery
- I/O door
- Top case

**Caution:** The PowerBook 160/165/180 contains CMOS devices that are very susceptible to ESD damage. Review the ESD precautions in Bulletins/Safety.

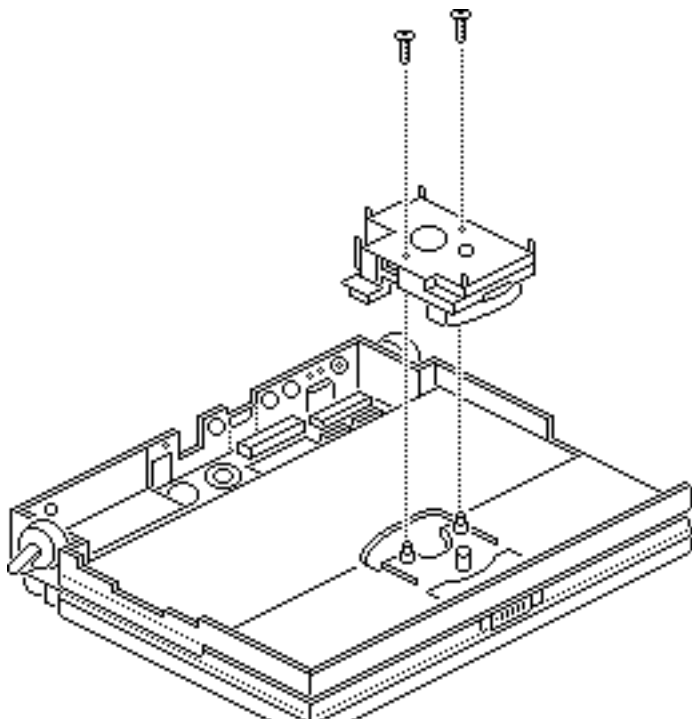




**Caution:** The trackball ribbon cable is fragile and should be handled with care.

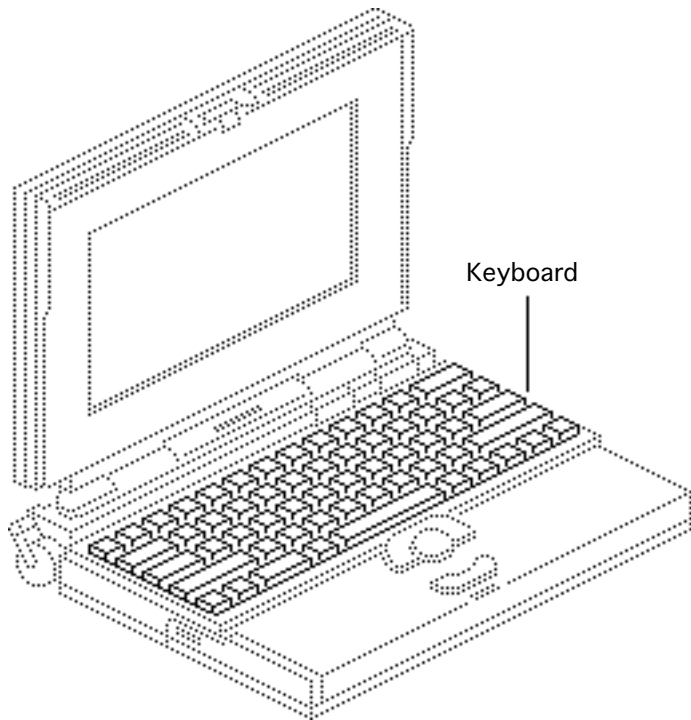
- 1 Pull out the locking tab on the trackball connector and remove the trackball ribbon cable.





- 2 Using a T-8 torx driver, remove the two mounting screws and lift the trackball assembly from the top case.





## Keyboard

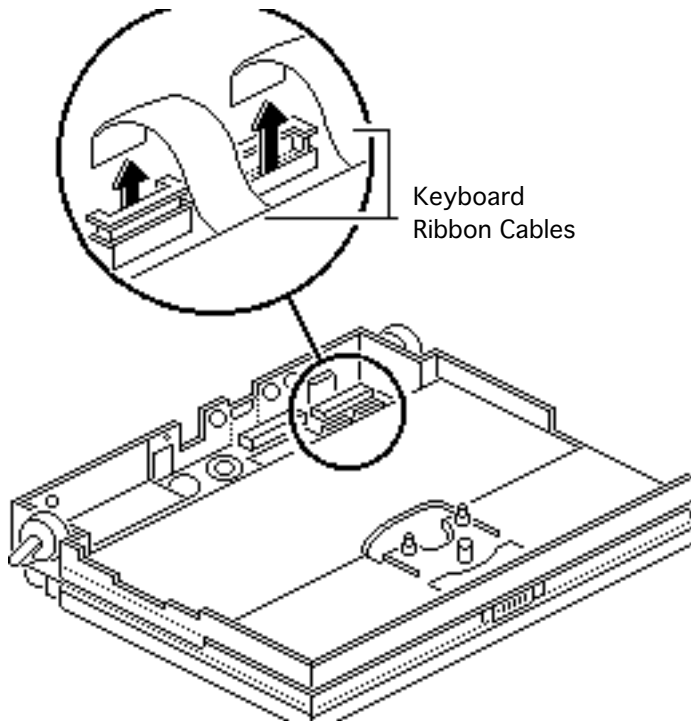
Before you begin, remove the following:

- Main battery
- I/O door
- Top case
- Trackball assembly

**Caution:** The PowerBook 160/165/180 contains CMOS devices that are very susceptible to ESD damage. Review the ESD precautions in Bulletins/Safety.



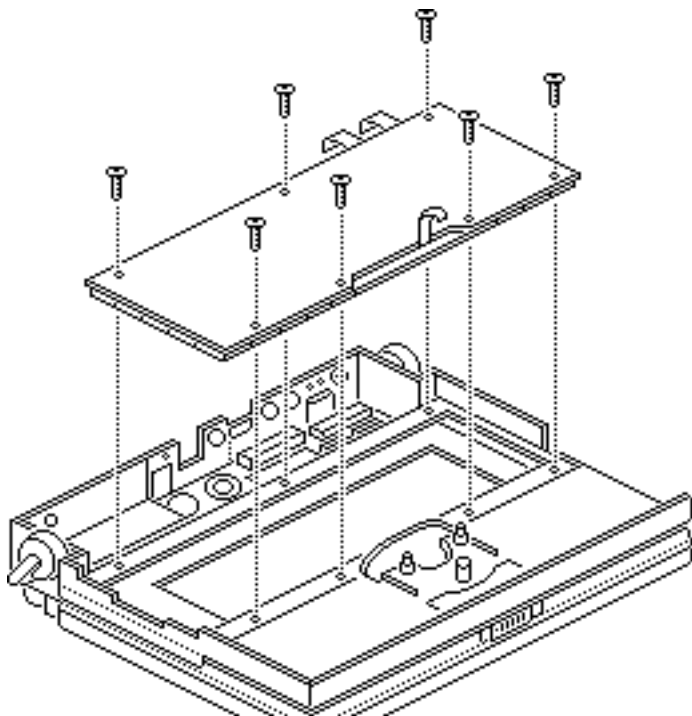




**Caution:** The keyboard ribbon cables are fragile and should be handled with care.

- 1 Lift the locking tabs on the two keyboard connectors and remove the keyboard ribbon cables.





- 2 Using a T-8 torx driver, remove the seven mounting screws and lift the keyboard from the top case.

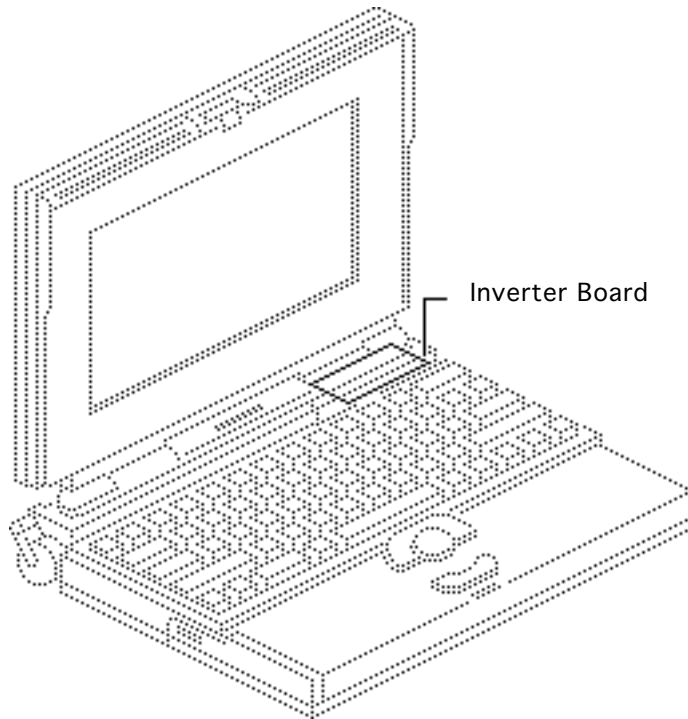




## Inverter Board

Before you begin, remove the following:

- Main battery
- I/O door
- Top case



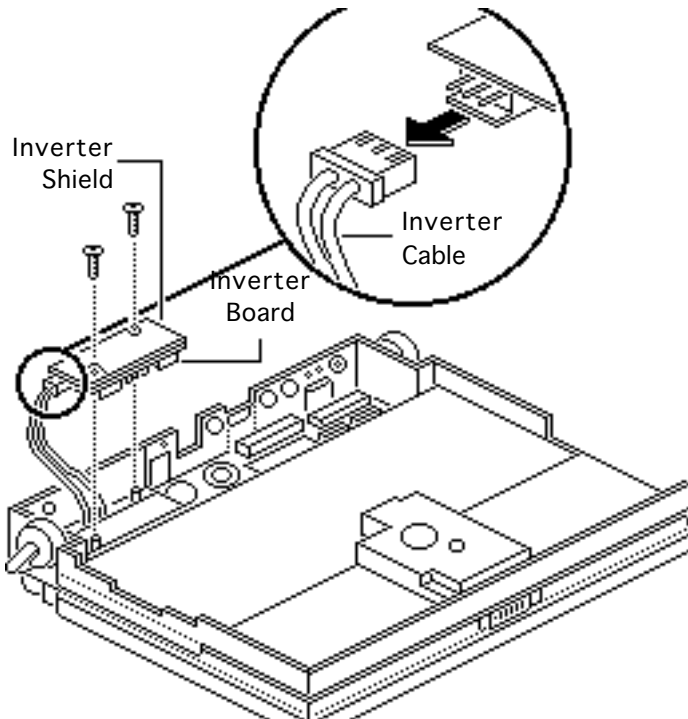
**Caution:** The PowerBook 160/165/180 contains CMOS devices that are very susceptible to ESD damage. Review the ESD precautions in Bulletins/Safety.





**Important:** The PowerBook 160/165 and PowerBook 180 displays require different inverter boards. Refer to the Service Source parts database for the correct part number for each board.



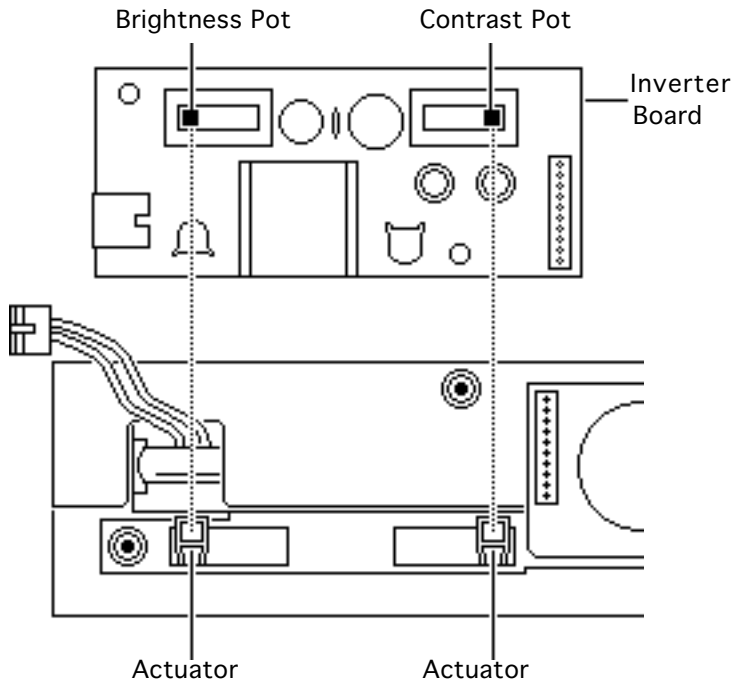


- 1 Remove the two mounting screws.

**Note:** Do not remove the inverter shield from the inverter board.

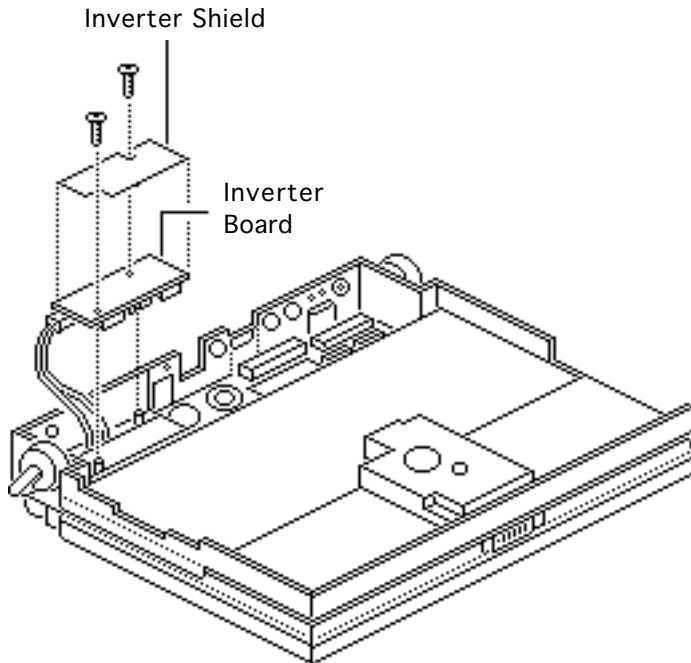
- 2 Pull the inverter board and attached shield straight up and off the connector on the interconnect board.
- 3 Disconnect the inverter cable.





**Replacement Note:** Be sure to align the brightness and contrast pots on the inverter board with the plastic actuators on the top case. It is easiest to align the pots and actuators if you set both to their extreme outer positions.





**Replacement Note:** If you are replacing the inverter board, order both the inverter board and the inverter shield. Install the new shield on the board before replacing it. Do not reuse the original inverter shield.



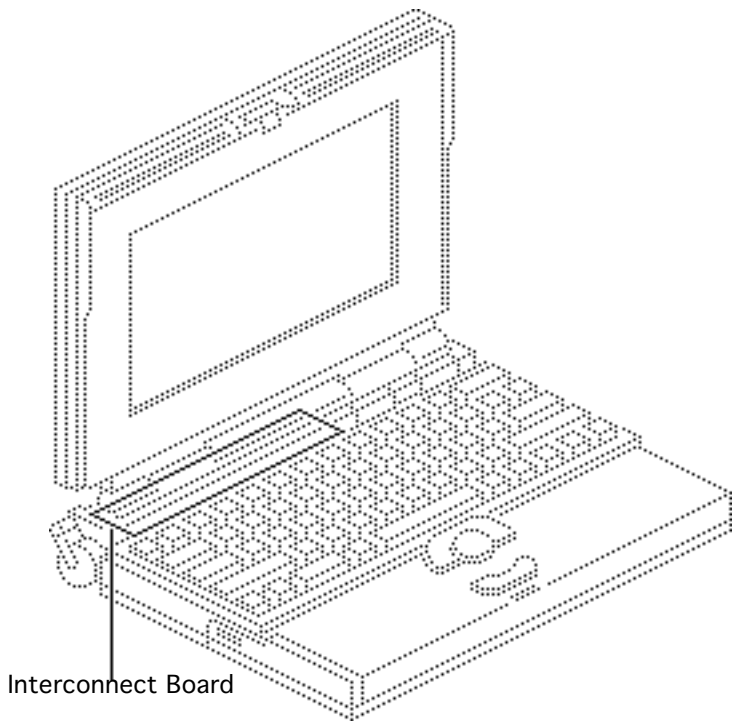


## Interconnect Board

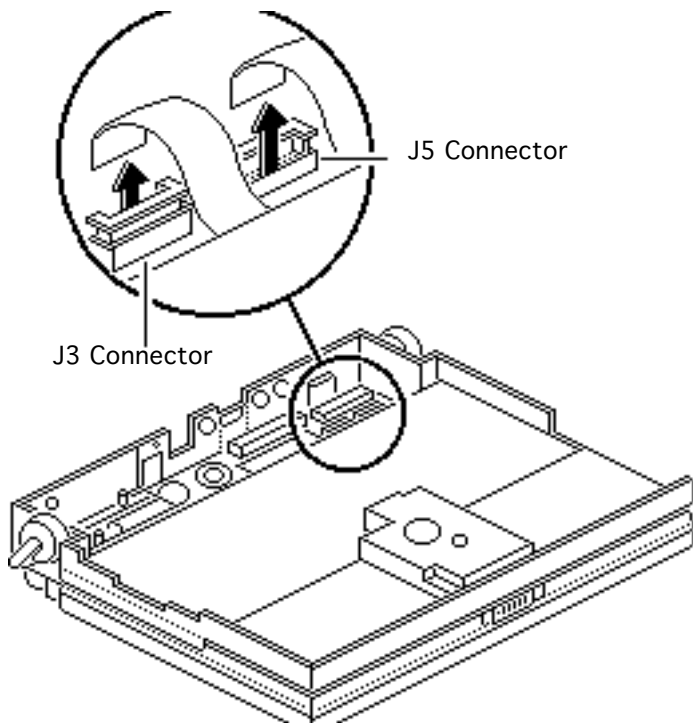
Before you begin, remove the following:

- Main battery
- I/O door
- Top case
- Inverter board

**Caution:** The PowerBook 160/165/180 contains CMOS devices that are very susceptible to ESD damage. Review the ESD precautions in Bulletins/Safety.





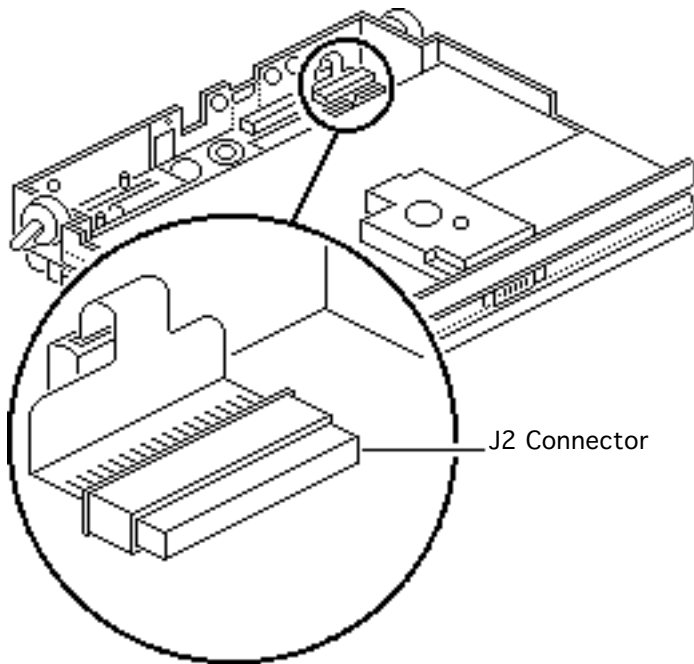


**⚠ Warning:** The interconnect board contains hazardous materials. Return bad interconnect boards to Apple for proper disposal.

**Caution:** The keyboard and display cables are fragile and should be handled with care.

- 1 Lift the locking tabs on connectors J5 and J3 and remove the keyboard ribbon cables.



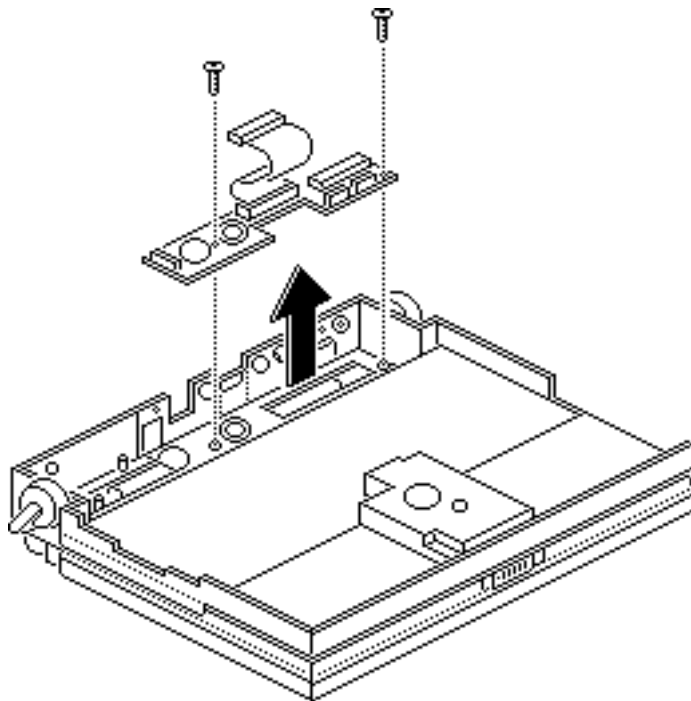


**Note:** The display cable will not come entirely out of the connector until you remove the interconnect board from the top case.

- 2 Pull out the locking tab on connector J2 and ease the display cable out of the connector as far as the cable will go.

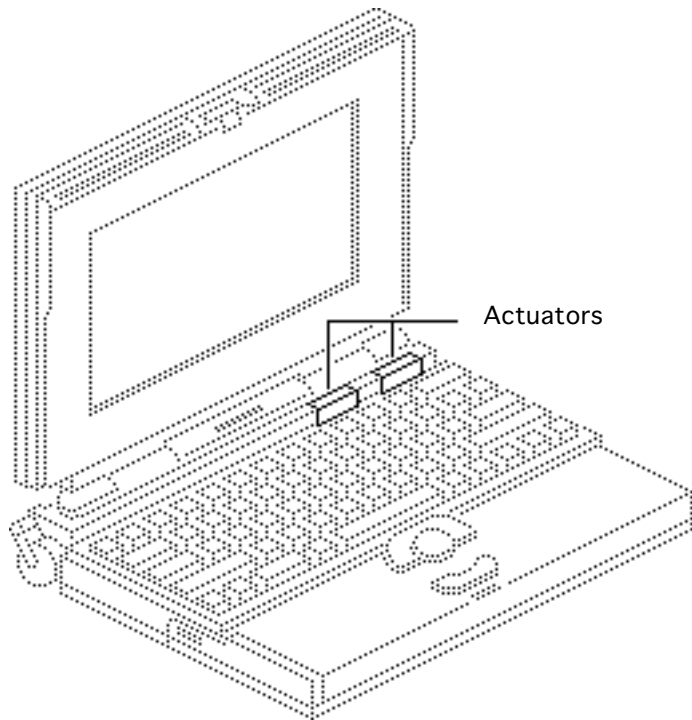
**Replacement Note:** Connect the display cable before replacing the interconnect board.





- 3 Using a T-8 torx driver, remove the two mounting screws and lift the interconnect board from the top case.





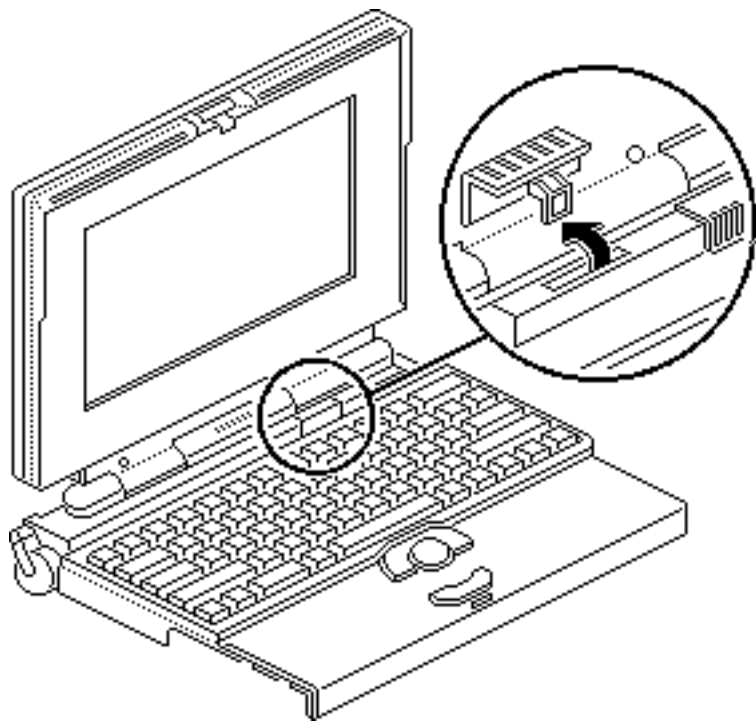
## Actuators

Before you begin, remove the following:

- Main battery
- I/O door
- Top case
- Inverter board

**Caution:** The PowerBook 160/165/180 contains CMOS devices that are very susceptible to ESD damage. Review the ESD precautions in Bulletins/Safety.





- 1 Pull up the contrast actuator, rotate it toward the display, and remove the actuator from the top case.
- 2 Repeat for the brightness actuator.



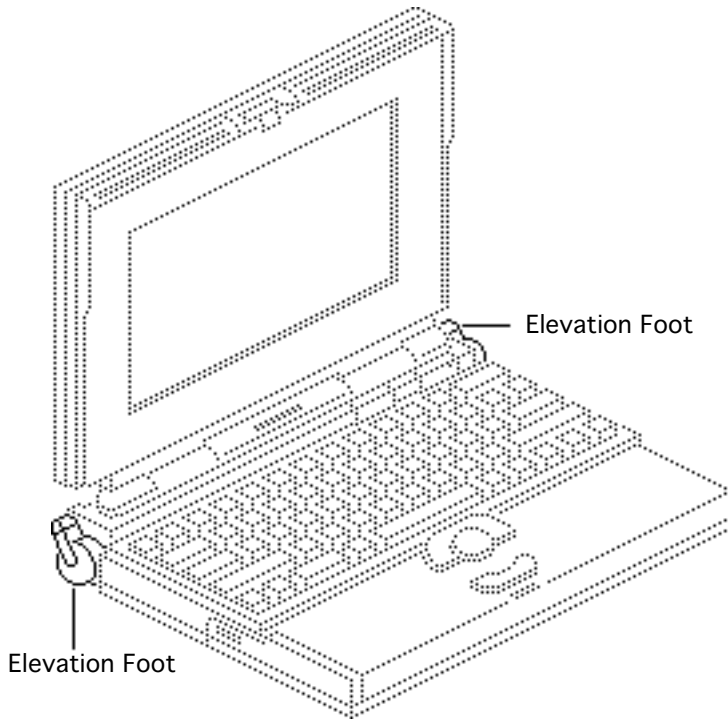


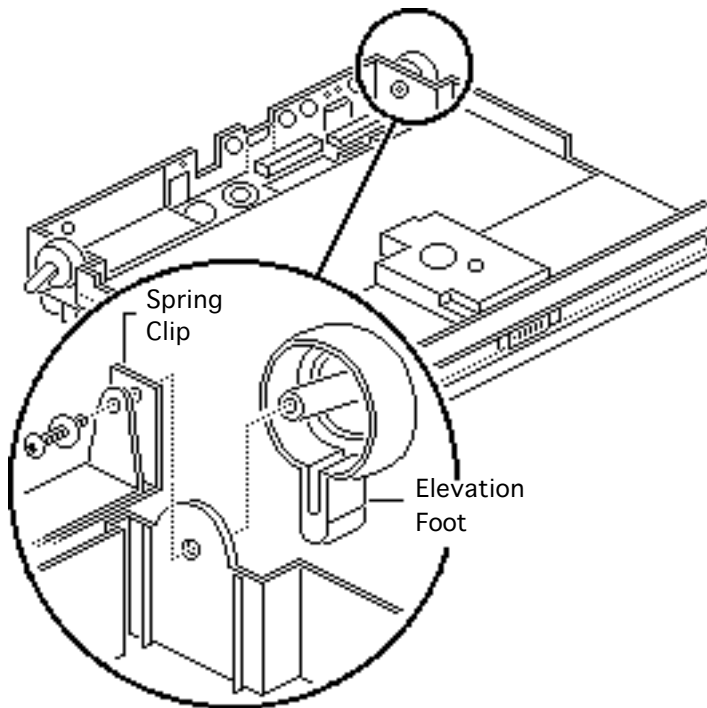
## Elevation Feet

Before you begin, remove the following:

- Main battery
- I/O door
- Top case

**Caution:** The PowerBook 160/165/180 contains CMOS devices that are very susceptible to ESD damage. Review the ESD precautions in Bulletins/Safety.





- 1 Using a T-8 torx driver, remove the torx screw, washer, and spring clip from the inside of the elevation foot.
- 2 Pull off the elevation foot.



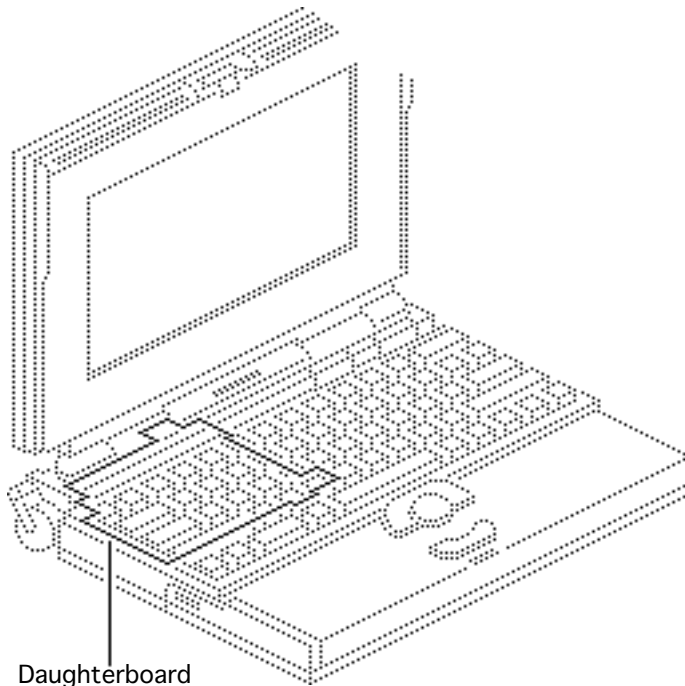


## Daughterboard

Before you begin, remove the following:

- Main battery
- I/O door
- Top case
- PSRAM expansion card (if present)

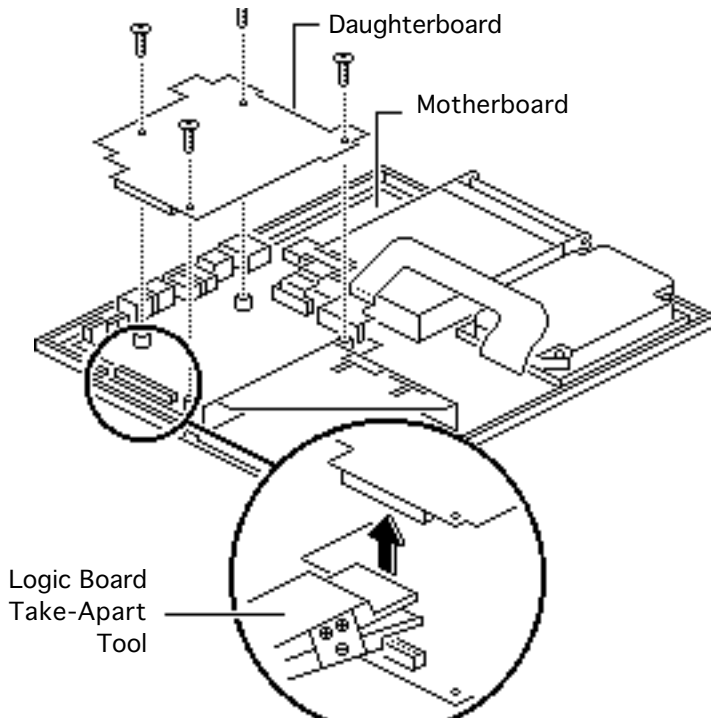
**Caution:** The PowerBook 160/165/180 contains CMOS devices that are very susceptible to ESD damage. Review the ESD precautions in Bulletins/Safety.



Daughterboard



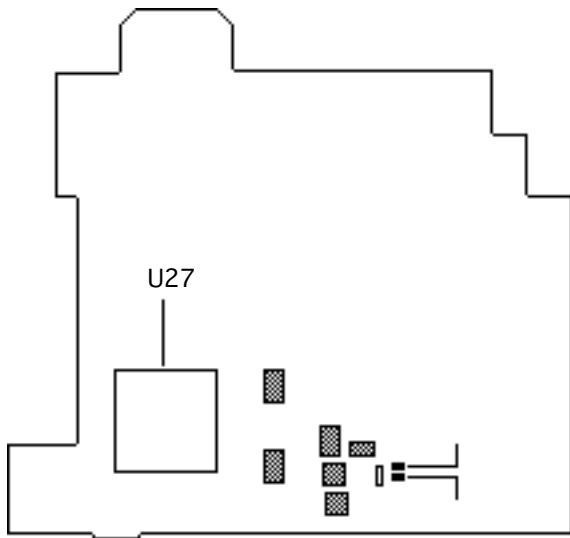




- 1 Using a T-8 torx driver, remove the four daughterboard mounting screws.

**Caution:** Always use the logic board take-apart tool to separate the daughterboard connector from the motherboard connector. Trying to disconnect the daughterboard from the motherboard by rocking or peeling the boards apart damages the connectors.





- 2 Using the Apple logic board take-apart tool, disconnect the daughterboard from the motherboard.

**Replacement Note:** If you are replacing a defective daughterboard, be aware that the PowerBook 160/165/180 daughterboards are very similar. To differentiate daughterboards, check the underside of the board. PowerBook 180 daughterboards have an FPU chip soldered at location





U27; PowerBook 160/165 boards do not.

To further differentiate PowerBook 160 and 165 daughterboards, check the underside for the following resistors:

- PowerBook 160 daughterboard

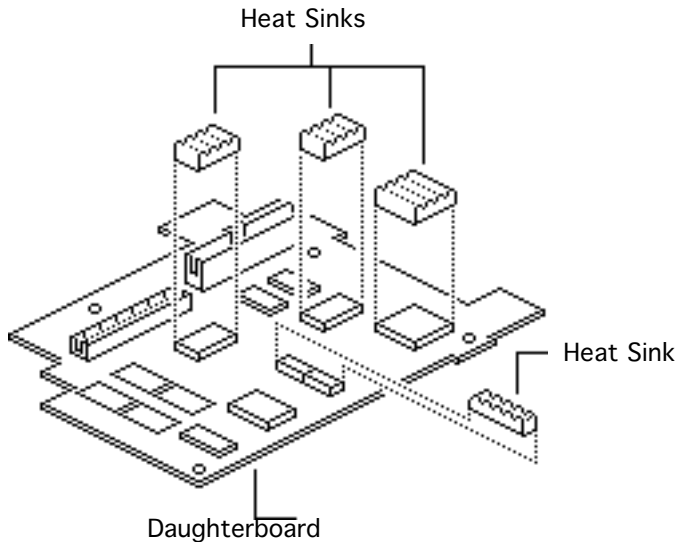
R38 resistor: installed

R39 resistor: not installed

- PowerBook 165 daughterboard

R38 resistor: not installed





R39 resistor: installed

For daughterboard part numbers, refer to the Service Source parts database.

**Replacement Note:** The green heat sinks attached to the daughterboard are made of delicate heat-conducting material. If they are missing or damaged, they must be replaced.

**Replacement Note:** To replace a damaged heat sink, carefully peel it from the daughterboard. Select the

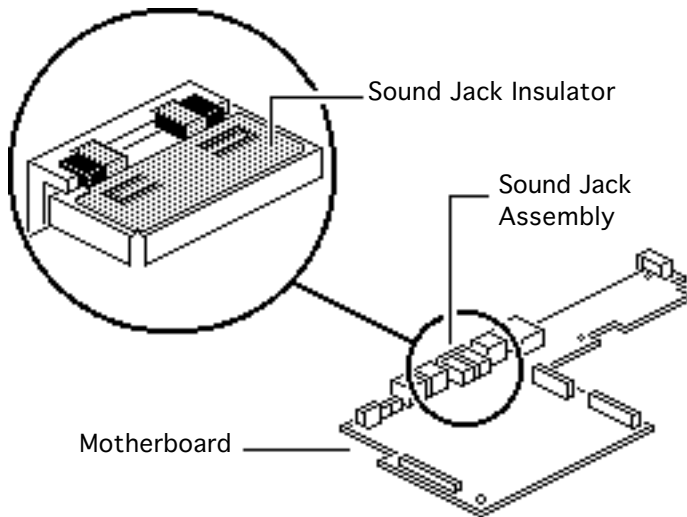




appropriately sized heat sink from the heat sink kit (part number 076-0069), and gently press the part into place.

**Replacement Caution:** Make sure the heat sink is placed exactly as shown in the illustration. The heat sink should not hang over the side of the component it is covering, or it may short the component leads.





**Replacement Note:** If you are replacing a defective daughterboard in a PowerBook 160/180 within the serial number range FC233xxxxxx through FC241xxxxxx, you must also replace the sound jack insulator on the motherboard.





**Replacement Note:** To replace the sound jack insulator, carefully peel off the original insulator. Remove the paper backing on the revised insulator (part number 922-0591), and gently press it into place.

**Replacement Caution:** Make sure the new insulator sits in exactly the same position as the original insulator.



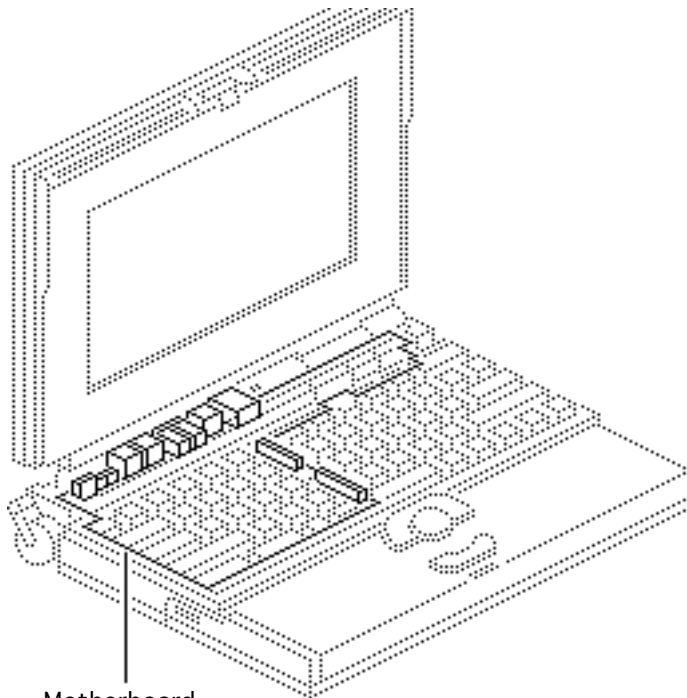


## Motherboard

Before you begin, remove the following:

- Main battery
- I/O door
- Top case
- PSRAM expansion card (if present)
- Daughterboard
- Modem card (if present)

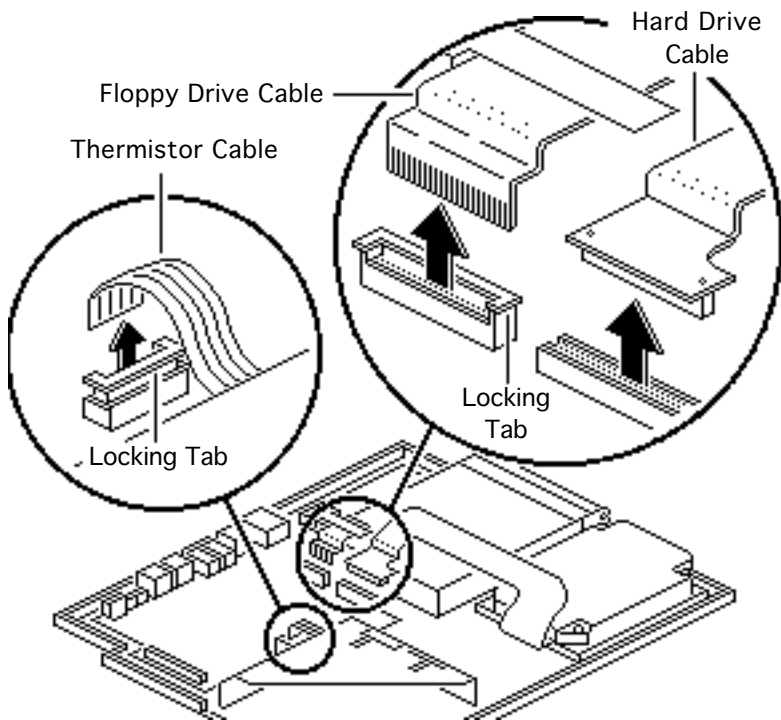
**Caution:** The PowerBook 160/165/180 contains CMOS devices that are very susceptible to ESD damage. Review the ESD precautions in Bulletins/Safety.



Motherboard



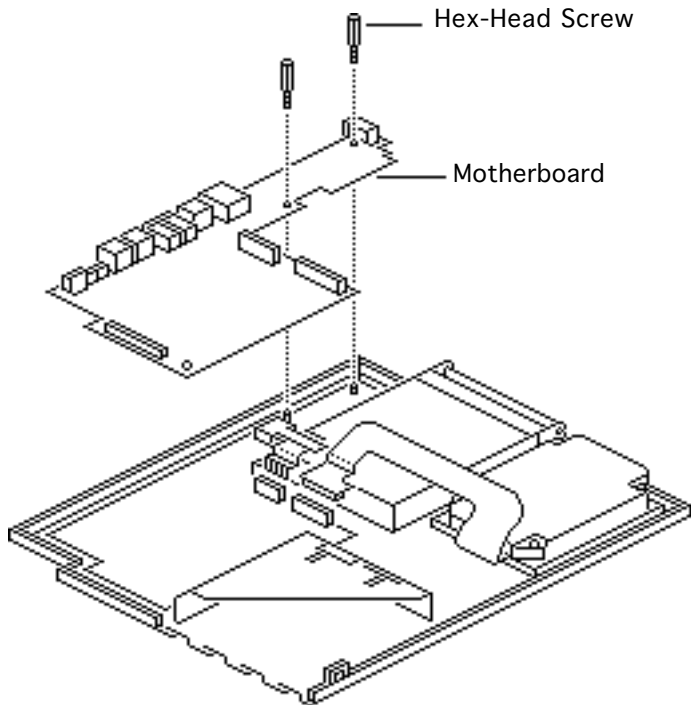




**Caution:** The hard drive, floppy drive, and thermistor cables are fragile and should be handled with care.

- 1 Lift the locking tabs and remove the floppy drive and thermistor cables.
- 2 Remove the hard drive cable.





- 3 Remove the two hex-head screws and lift the motherboard from the bottom case.



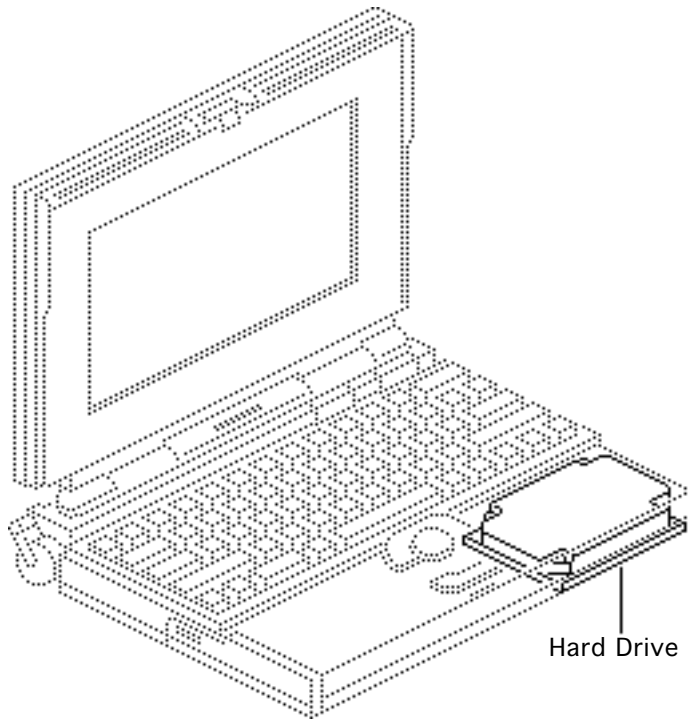


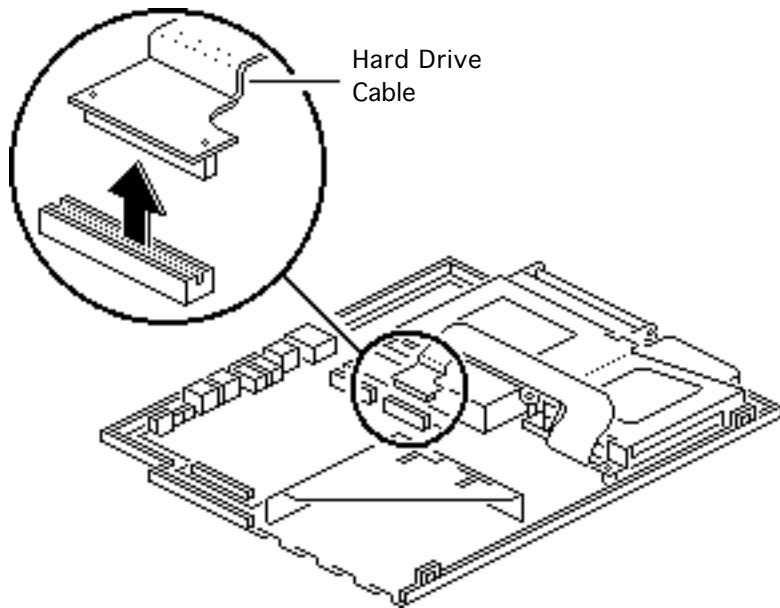
## Hard Drive

Before you begin, remove the following:

- Main battery
- I/O door
- Top case
- Modem card (if present)
- Daughterboard

**Caution:** The PowerBook 160/165/180 contains CMOS devices that are very susceptible to ESD damage. Review the ESD precautions in Bulletins/Safety.

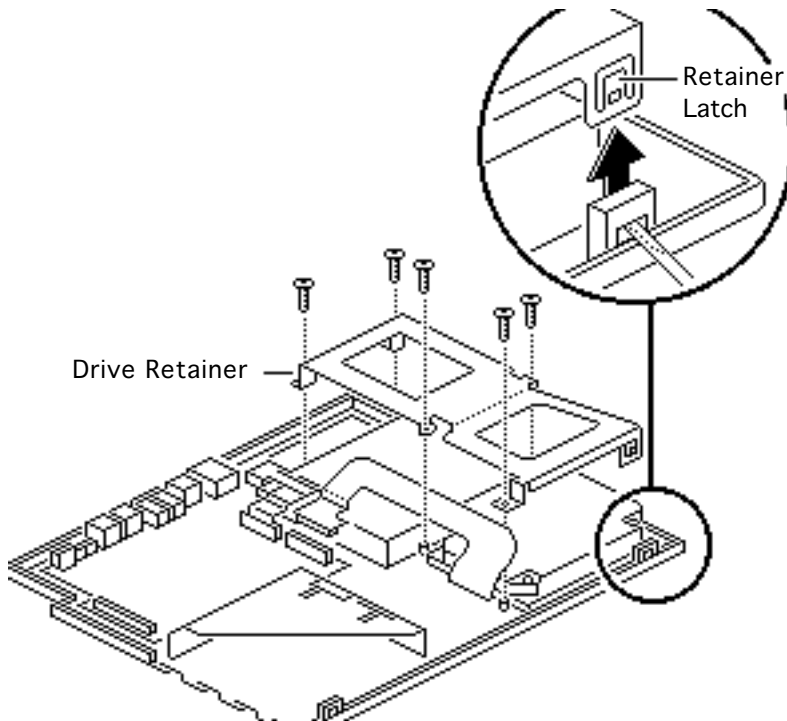




**Caution:** The hard drive cable is fragile and should be handled with care.

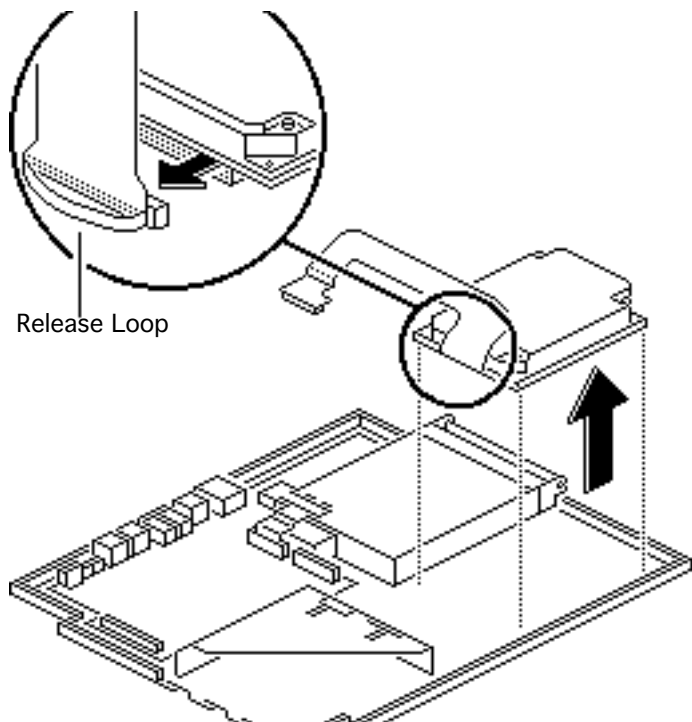
- 1 Disconnect the hard drive cable from the motherboard.





- 2 Using a T-8 torx driver, remove the five screws from the drive retainer.
- 3 Using a jeweler's screwdriver, release the drive retainer latch and remove the retainer.





- 4 Lift the hard drive from the case.
- 5 Pull the release loop and disconnect the hard drive cable.

**Note:** If the cable does not have a release loop, gently pry the cable from the drive with a screwdriver.





**Replacement Note:** Drive retainers for 17-mm-high and 19-mm-high hard drives are not interchangeable. Check the height of the replacement drive and use the appropriate drive retainer. If you are upgrading from a 40 MB to 80 MB hard drive, use the ridged, 17-mm retainer that shipped with the 80 MB hard drive.





**Replacement Note:** For information on returning drives, cables, and carriers to Apple, refer to Additional Procedures in the Hard Drives chapter.



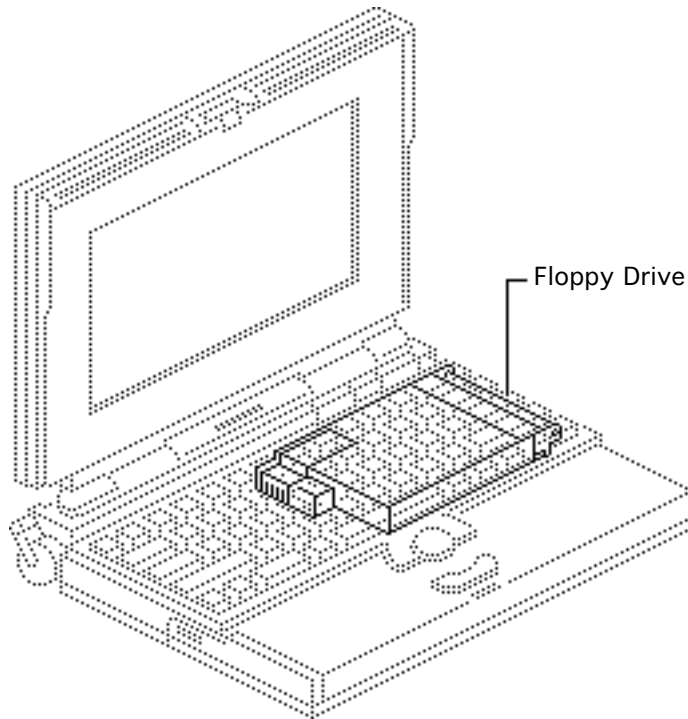




## Floppy Drive

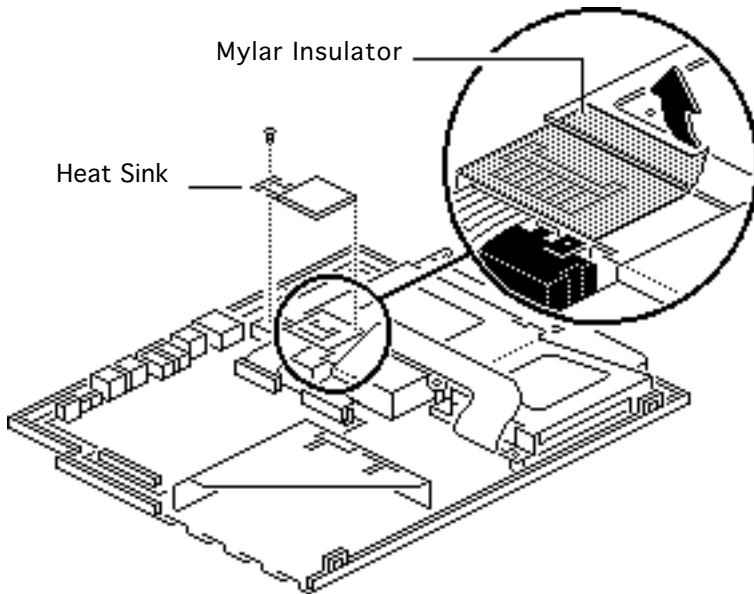
Before you begin, remove the following:

- Main battery
- I/O door
- Top case
- Modem card (if present)
- Daughterboard



**Caution:** The PowerBook 160/165/180 contains CMOS devices that are very susceptible to ESD damage. Review the ESD precautions in Bulletins/Safety.

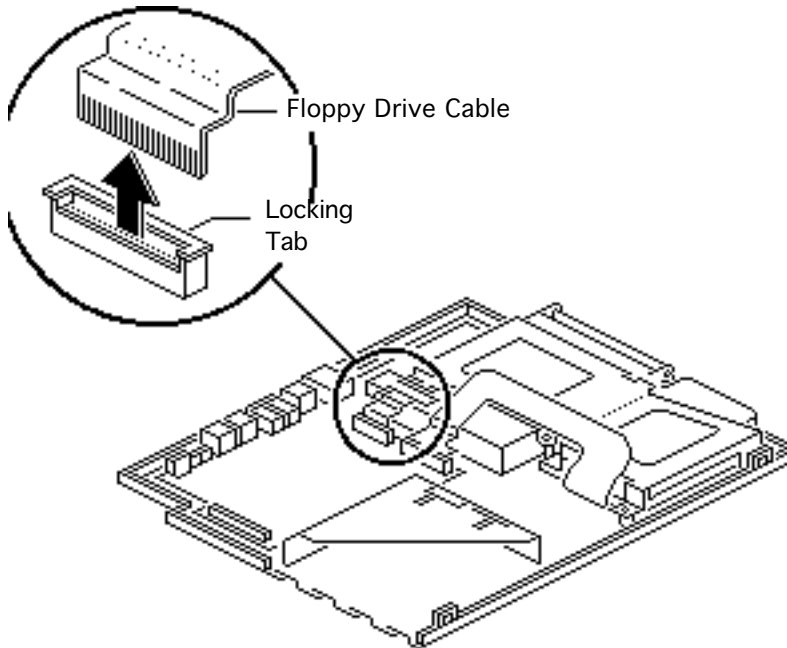




**Note:** Follow this procedure if a rectangular green heat sink extends over the floppy drive.

- 1 Remove the screw holding the heat sink over the floppy drive and lift off the heat sink.
- 2 Remove the mylar insulator attached to the drive retainer.

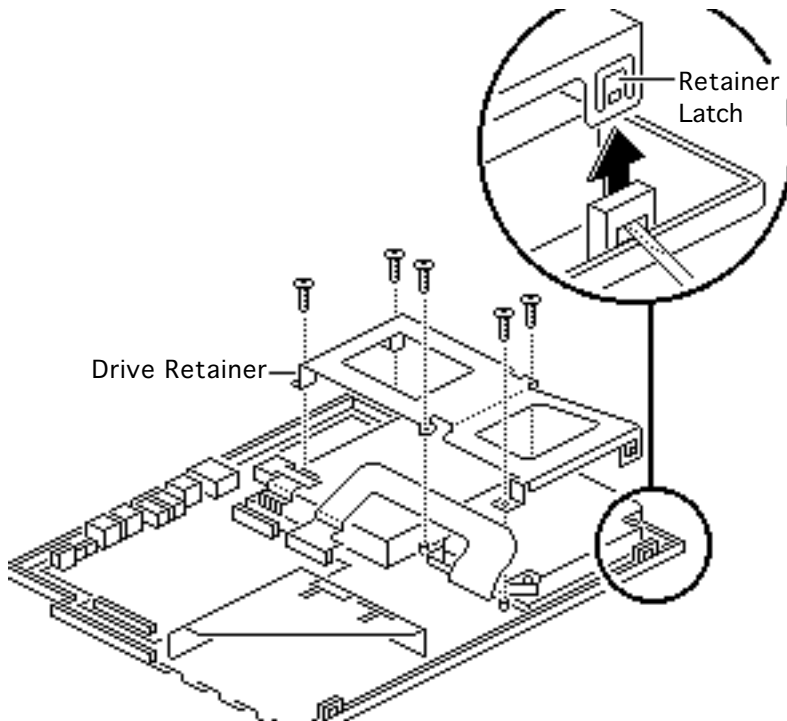




**Caution:** The floppy drive cable is fragile and should be handled with care.

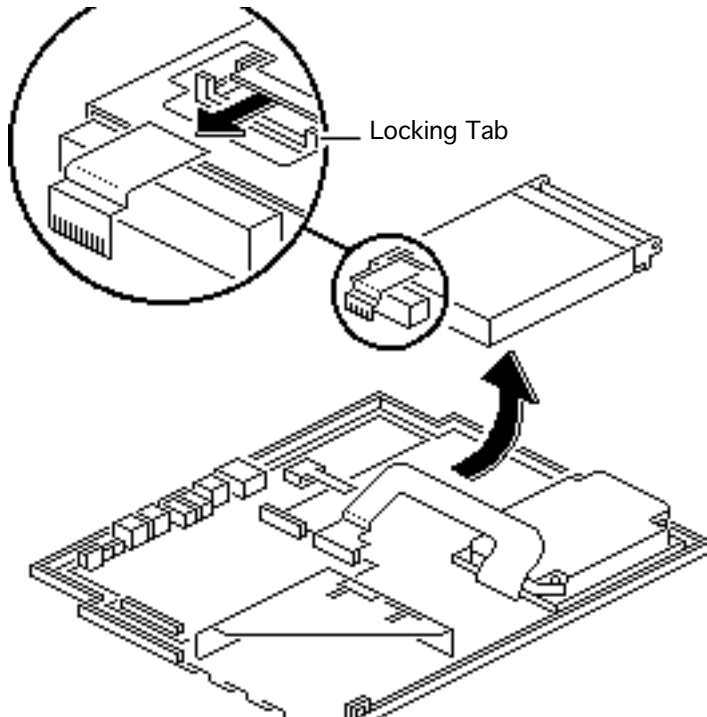
- 3 Lift the locking tab and disconnect the floppy drive cable from the motherboard.





- 4 Using a T-8 torx driver, remove the five torx screws from the drive retainer.
- 5 Using a jeweler's screwdriver, release the drive retainer latch and remove the retainer.

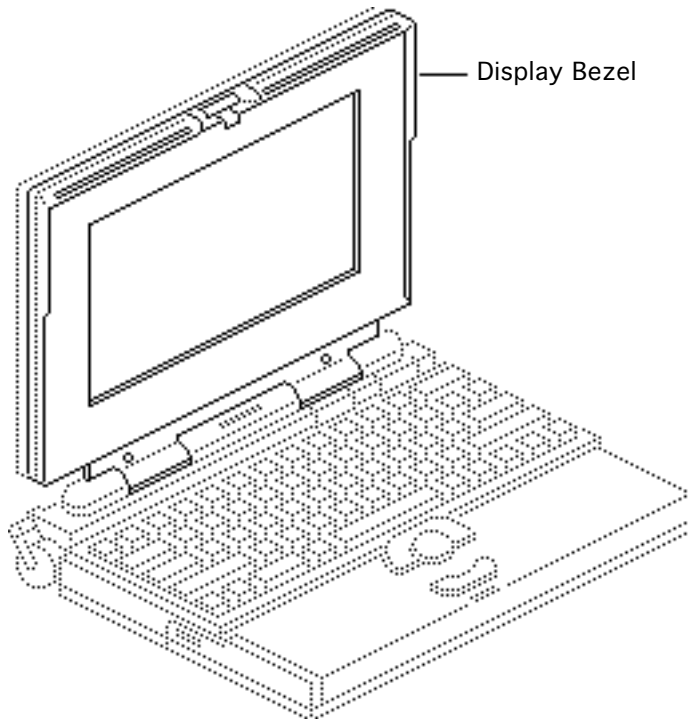




- 6 Slide the floppy drive back and lift it from the bottom case.
- 7 Using a jeweler's screwdriver, push out the locking tab and remove the floppy drive cable from the drive.

**Replacement Caution:** When connecting the floppy drive cable connector, fold the cable as shown. If it is not folded correctly, the cable could short.





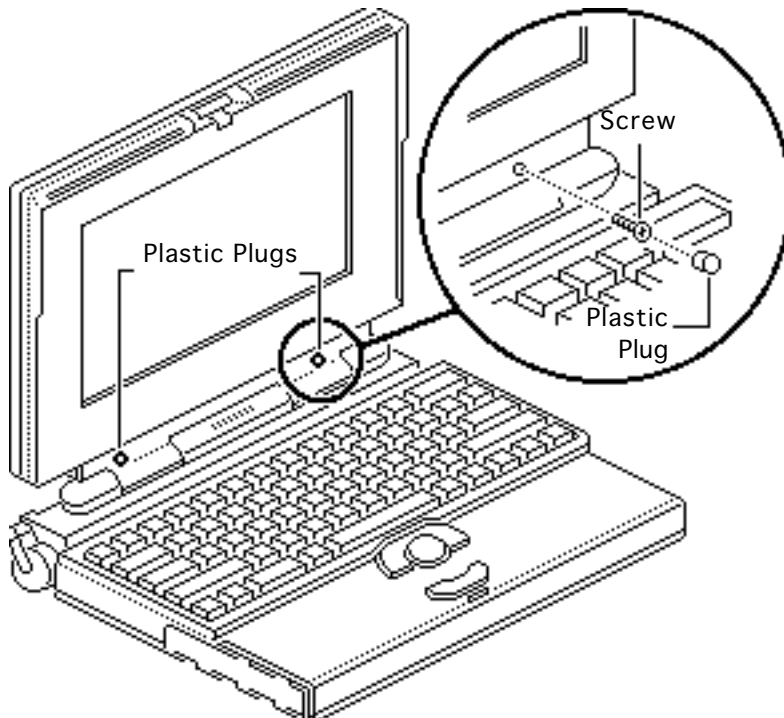
Display Bezel

## Display Bezel

Before you begin, remove the main battery.

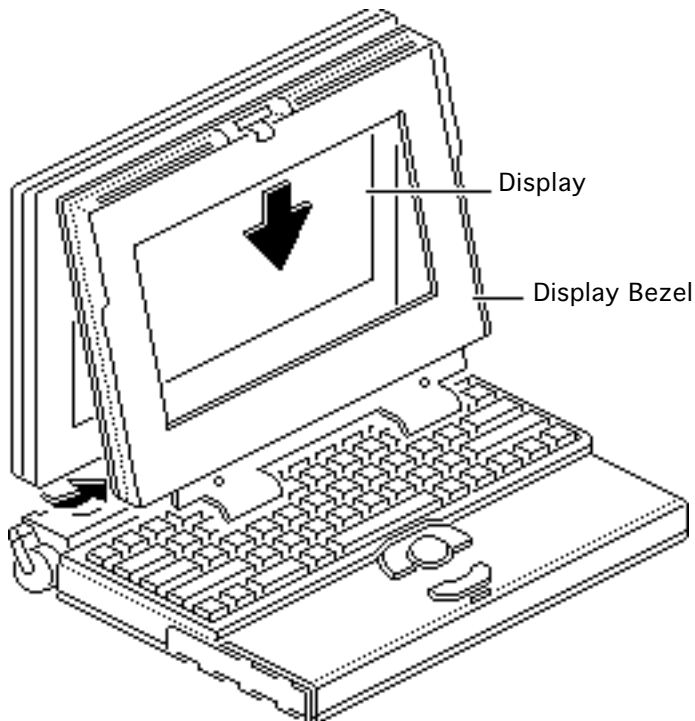
**Caution:** The PowerBook 160/165/180 contains CMOS devices that are very susceptible to ESD damage. Review the ESD precautions in Bulletins/Safety.





- 1 Remove the two plastic plugs.
- 2 Using a T-8 torx driver, remove the two bezel mounting screws from the display.

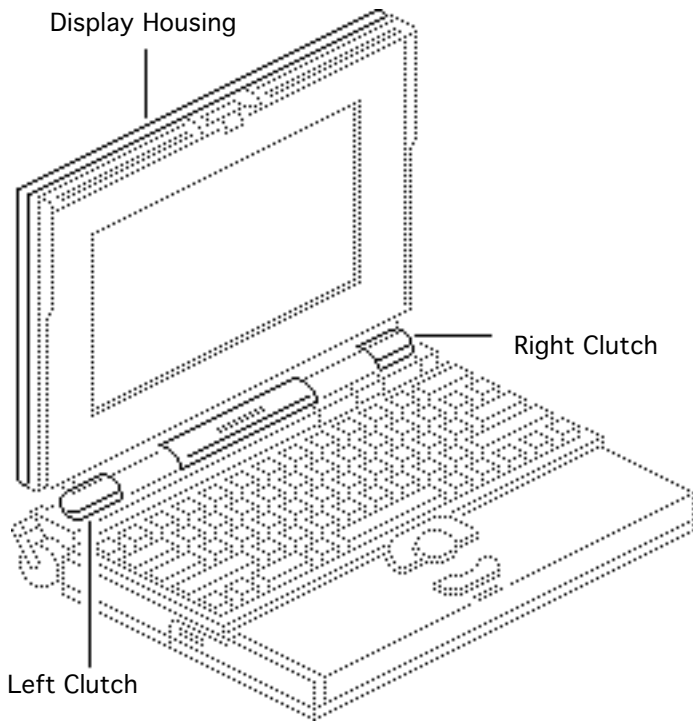




- 3 Pull the display bezel down and away from the display and release the bezel from the mounting tabs at the top and sides of the display.
- 4 Lift the bezel off the display.







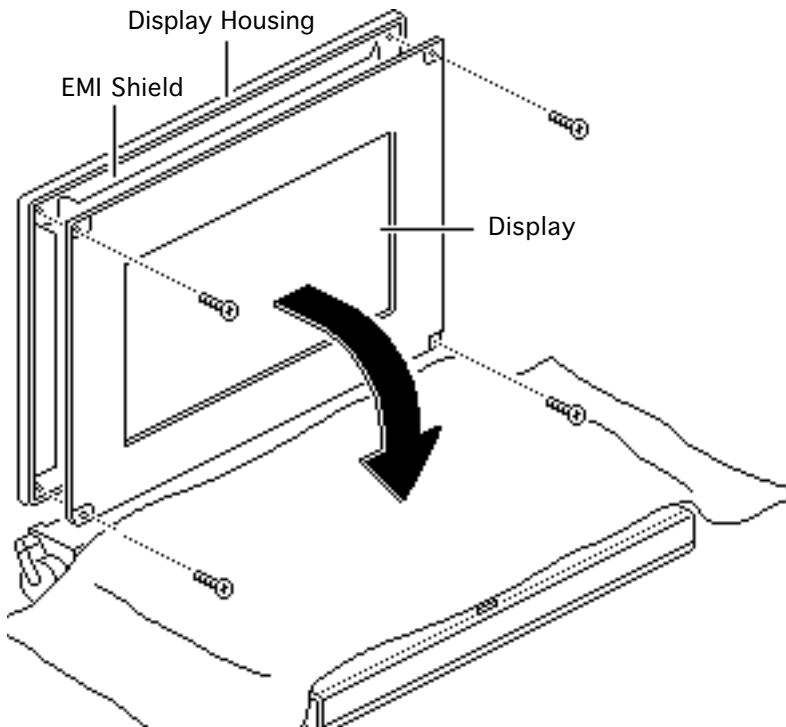
## Clutches/Display Housing

Before you begin, remove the following:

- Main battery
- Display bezel

**Caution:** The PowerBook 160/165/180 contains CMOS devices that are very susceptible to ESD damage. Review the ESD precautions in Bulletins/Safety.

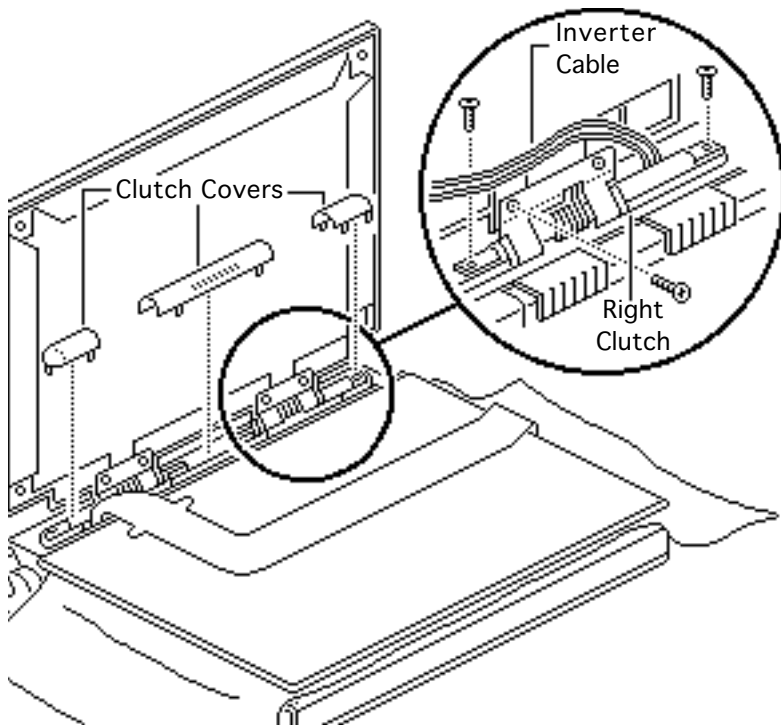




**Note:** This topic includes take apart procedures for the left and right clutch assemblies and the display housing.

- 1 Cover the keyboard with a clean cloth or sheet of paper.
- 2 Using a T-8 torx driver, remove the four display mounting screws.
- 3 Remove the display from the housing and EMI shield.
- 4 Place the display face-down on the keyboard.





- 5 Pull off the three clutch covers.
- 6 Using a T-8 torx driver, remove the six mounting screws from the left and right clutches.
- 7 Remove the left and right clutches from the display housing.

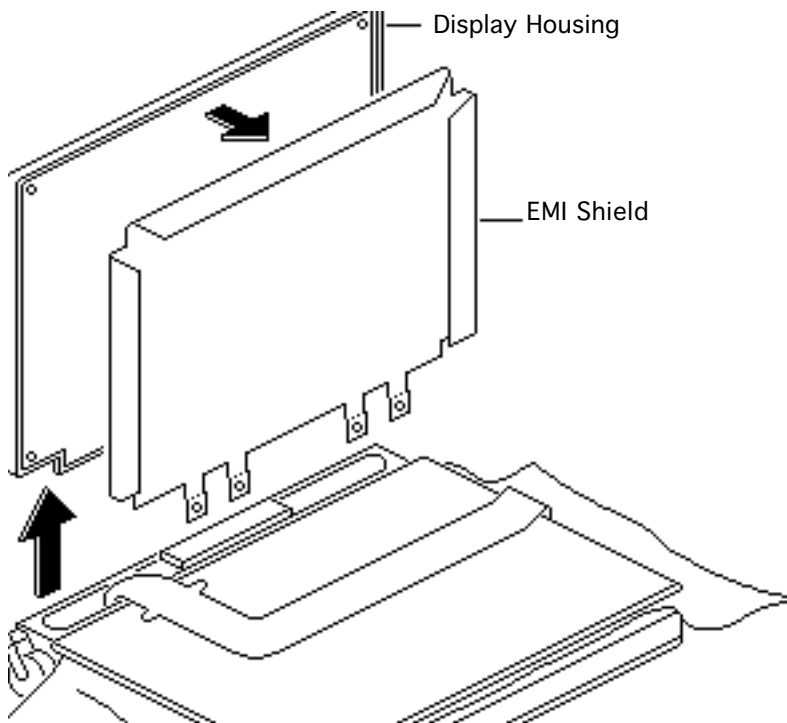




**Replacement Note:** Replace the short mounting screws in the top-inside clutch threadings. The top-outside threadings are used to mount the bezel.

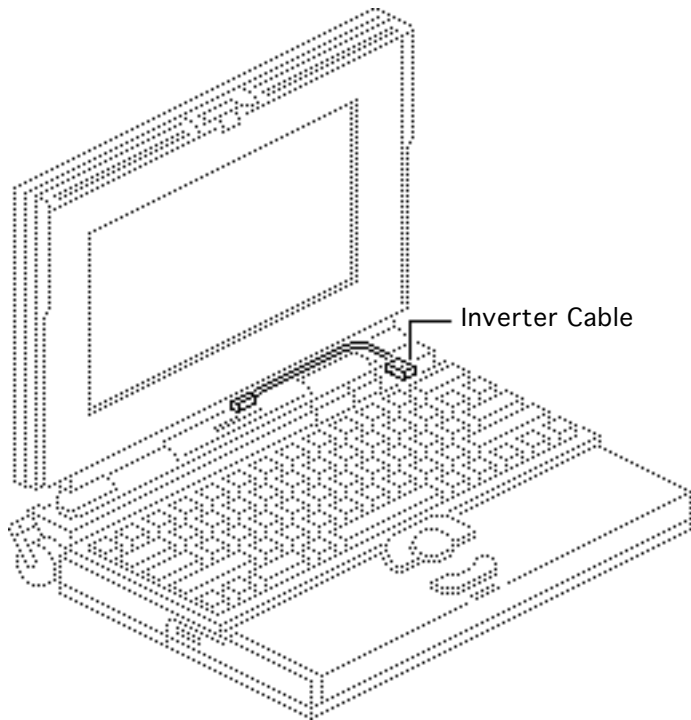
**Replacement Note:** To avoid pinching the inverter cable, route the cable behind the top-right corner of the hinge on the right clutch.





- 8 Remove the display housing and EMI shield from the case.





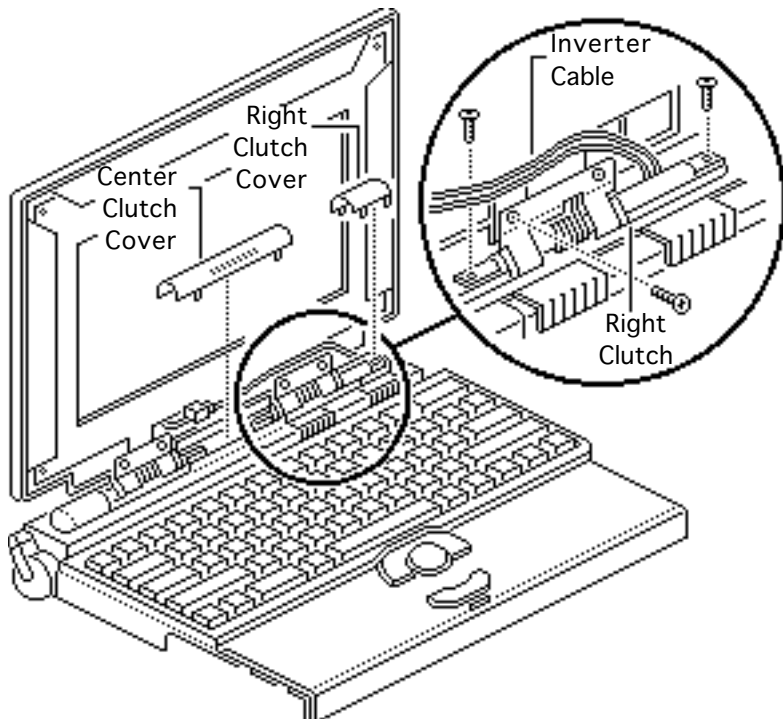
## Inverter Cable

Before you begin, remove the following:

- Main battery
- I/O door
- Top case
- Inverter board
- Display bezel

**Caution:** The PowerBook 160/165/180 contains CMOS devices that are very susceptible to ESD damage. Review the ESD precautions in Bulletins/Safety.

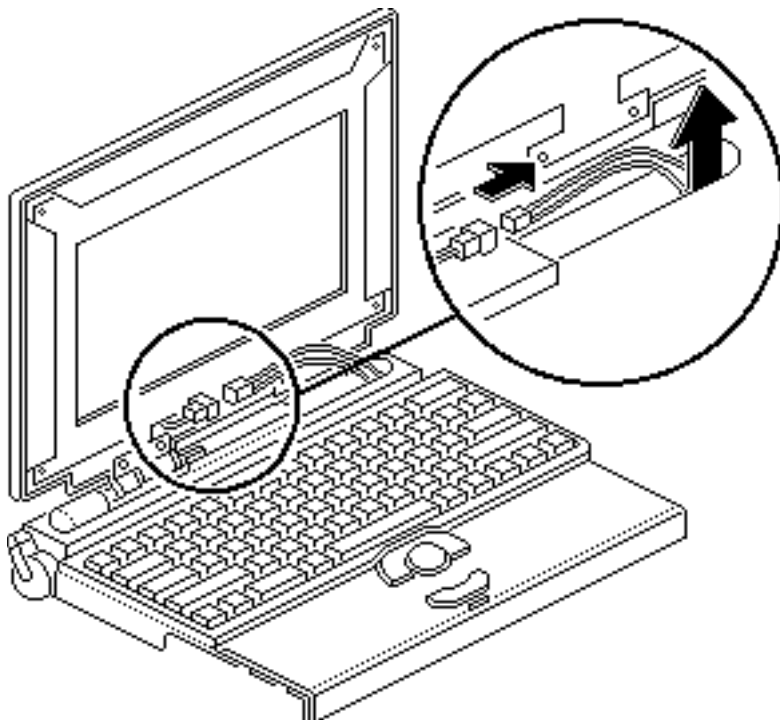




- 1 Pull off the center and right clutch covers.
- 2 Using a T-8 torx driver, remove the three mounting screws from the right clutch.
- 3 Remove the clutch from the display housing.

**Replacement Note:** Replace the short mounting screw in the top-inside clutch threading. The top-outside threading is used to mount the bezel.



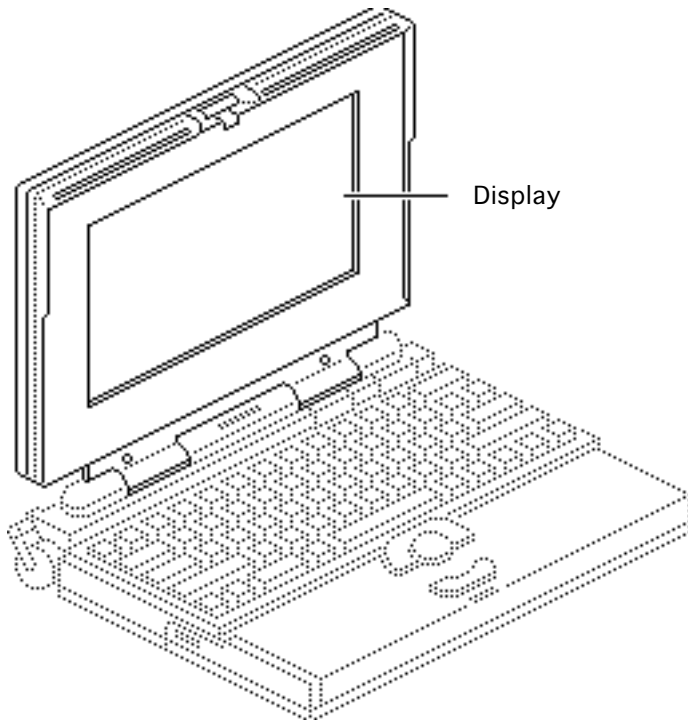


**Replacement Note:** To avoid pinching the inverter cable, route the cable behind the top-right corner of the hinge on the right clutch.

- 4 Disconnect the inverter cable and remove it from the case.







## Display

Before you begin, remove the following:

- Main battery
- Display bezel

**Caution:** The PowerBook 160/165/180 contains CMOS devices that are very susceptible to ESD damage. Review the ESD precautions in Bulletins/Safety.

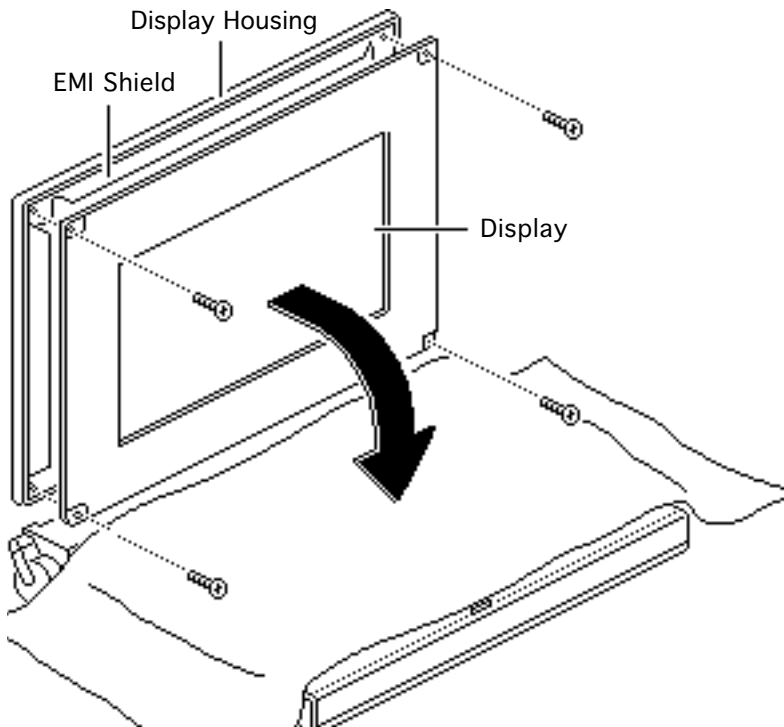




**Note:** This topic includes separate procedures for removing the PowerBook 160/165 FSTN display and the PowerBook 180 active-matrix display.

**Note:** The PowerBook 180 active matrix display module is available to CPRC and international repairers only.



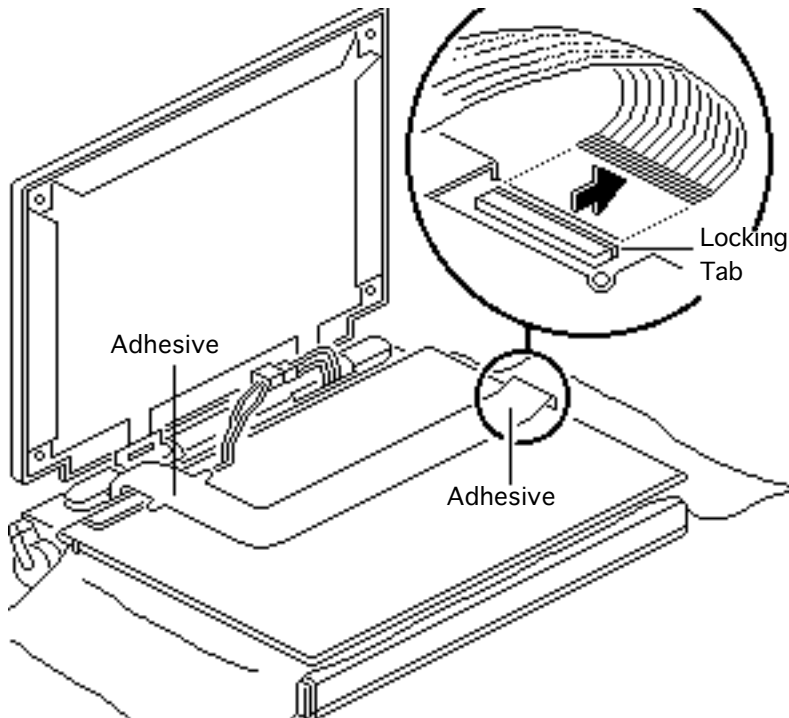


## PowerBook 160/165 FSTN Display

**Caution:** The display cable is fragile and should be handled with care.

- 1 Cover the keyboard with a clean cloth or sheet of paper.
- 2 Using a T-8 torx driver, remove the four display mounting screws.
- 3 Remove the display from the housing and EMI shield.





- 4 Place the display face-down on the keyboard.
- 5 Lift the locking tab on the display connector and disconnect the display cable.

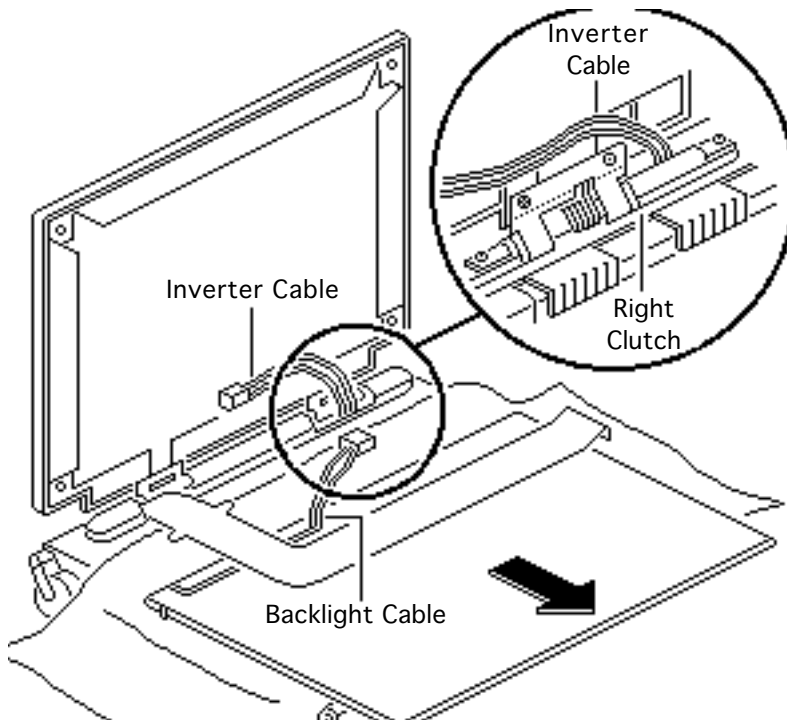




- 6 **Caution:** The PowerBook 160/165 display cable is attached to the display with adhesive near the connector and backlight ends of the cable. Carefully pry the cable off the display at these two points.

Gently detach the display cable from the back of the display.

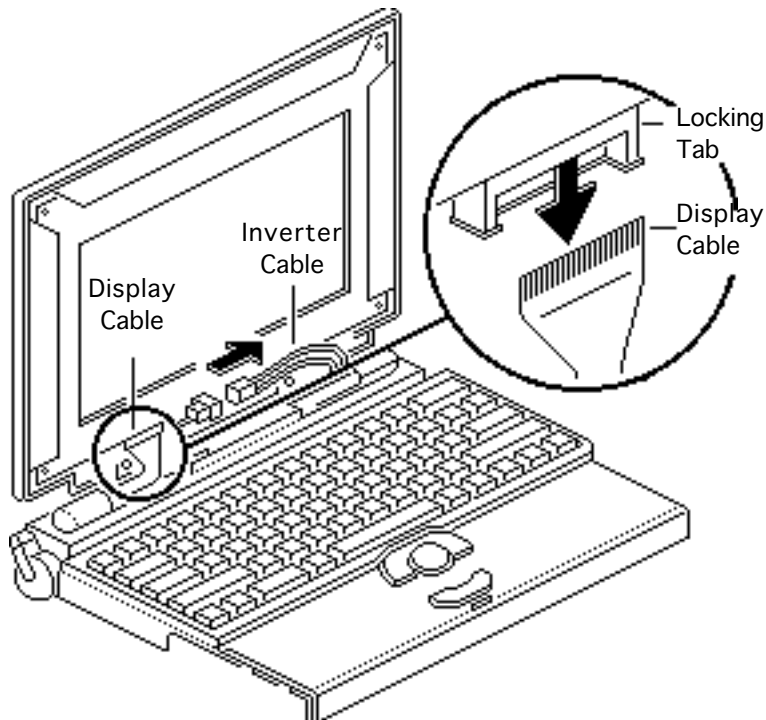




- 7 Disconnect the inverter cable from the display backlight cable.
- 8 Remove the display.

**Replacement Note:** To avoid pinching the inverter cable, route the cable behind the top-right corner of the hinge on the right clutch.



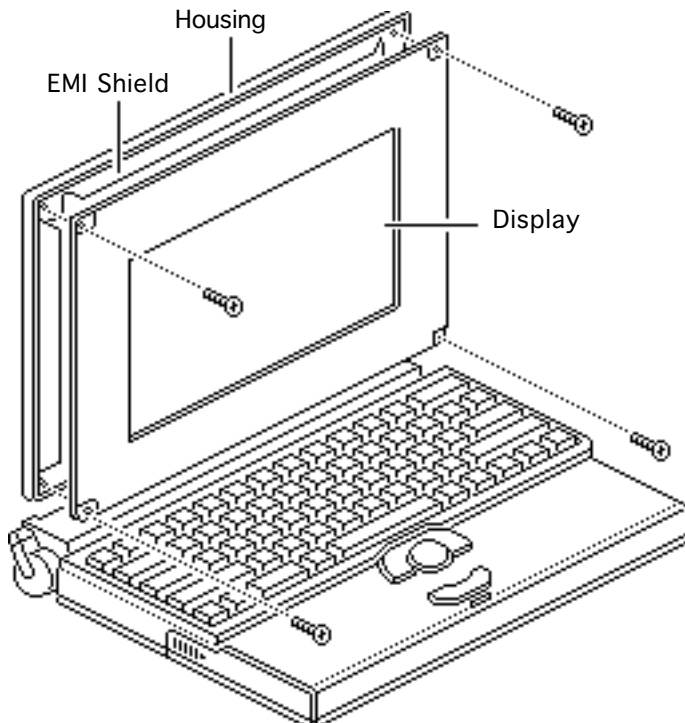


## PowerBook 180 Active-Matrix Display

**Caution:** The display cable is fragile and should be handled with care.

- 1 Lift the locking tab on the display connector and disconnect the display cable.
- 2 Disconnect the inverter cable.

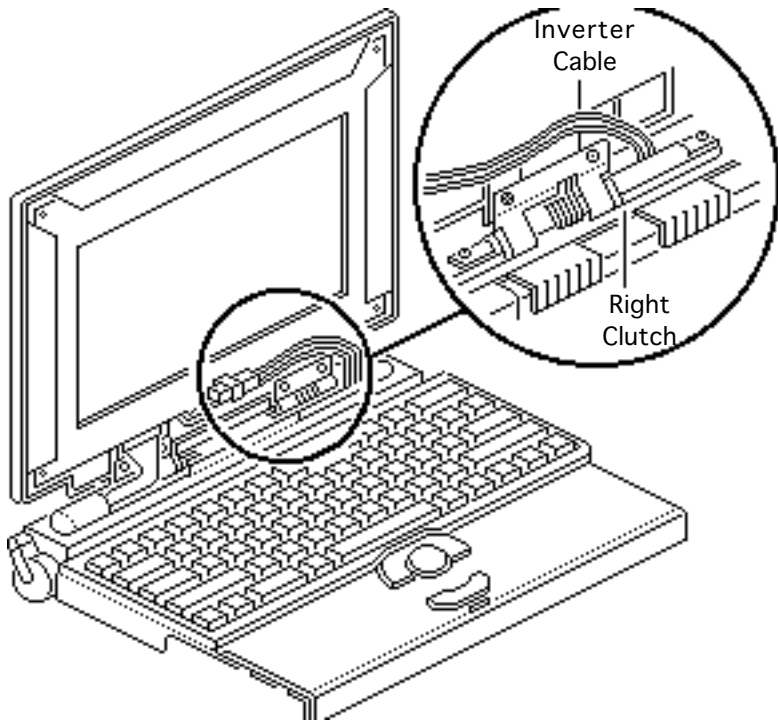




- 3 Using a T-8 torx driver, remove the four display mounting screws.
- 4 Remove the display from the housing and EMI shield.

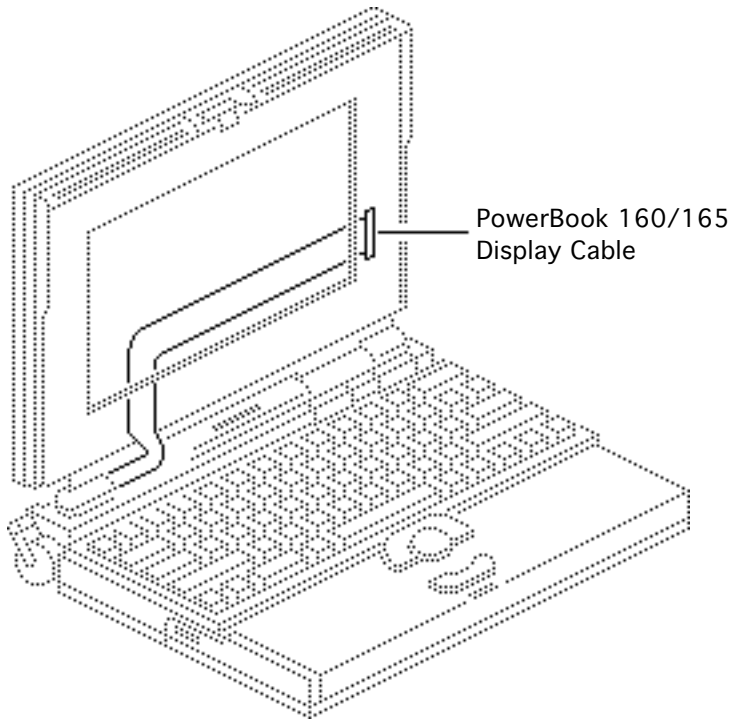






**Replacement Note:** To avoid pinching the inverter cable, route the cable behind the top-right corner of the hinge on the right clutch.



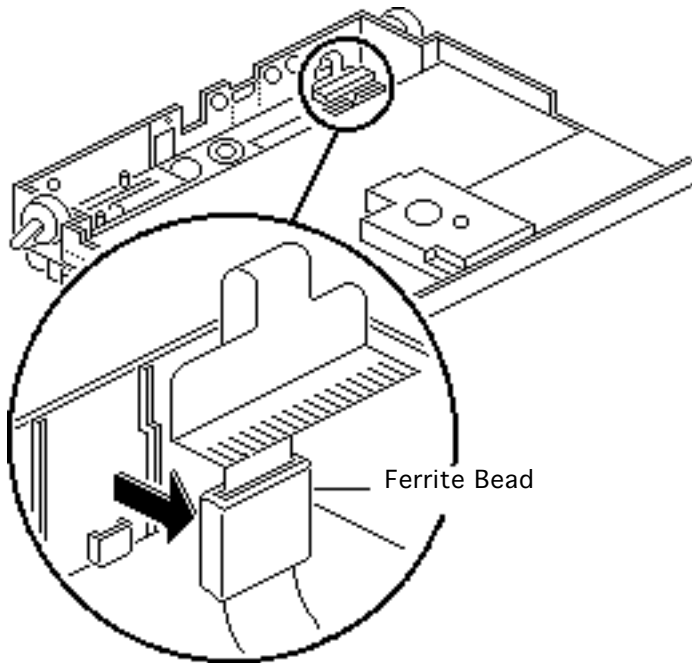


## PB 160/165 Display Cable

Before you begin, remove the following:

- Main battery
- I/O door
- Top case
- Inverter board
- Interconnect board
- Display bezel
- PowerBook 160/165
- Display



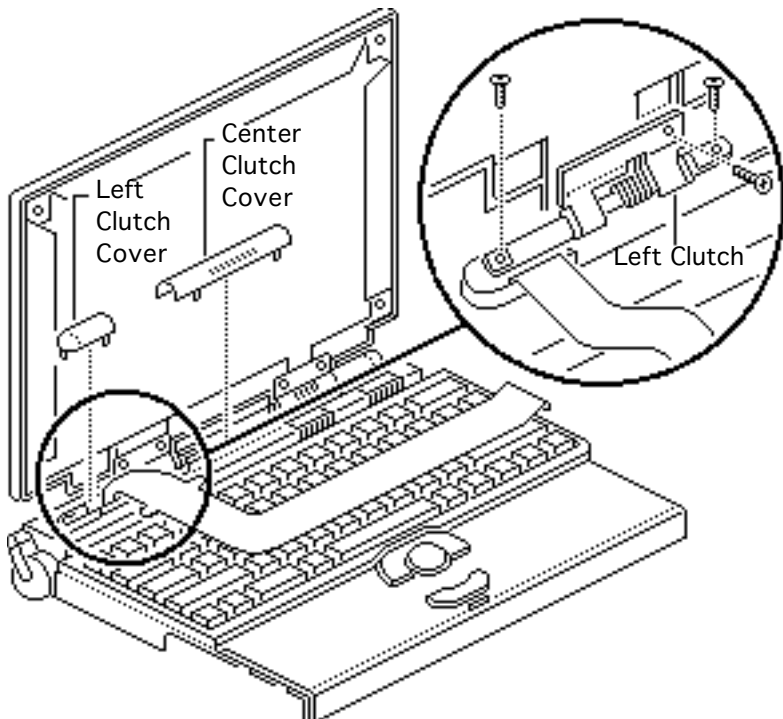


**Caution:** The PowerBook 160/165 contains CMOS devices that are very susceptible to ESD damage. Review the ESD precautions in Bulletins/Safety.

**Caution:** The display cable is fragile and should be handled with care.

- 1 Pry the display cable ferrite bead from the case.

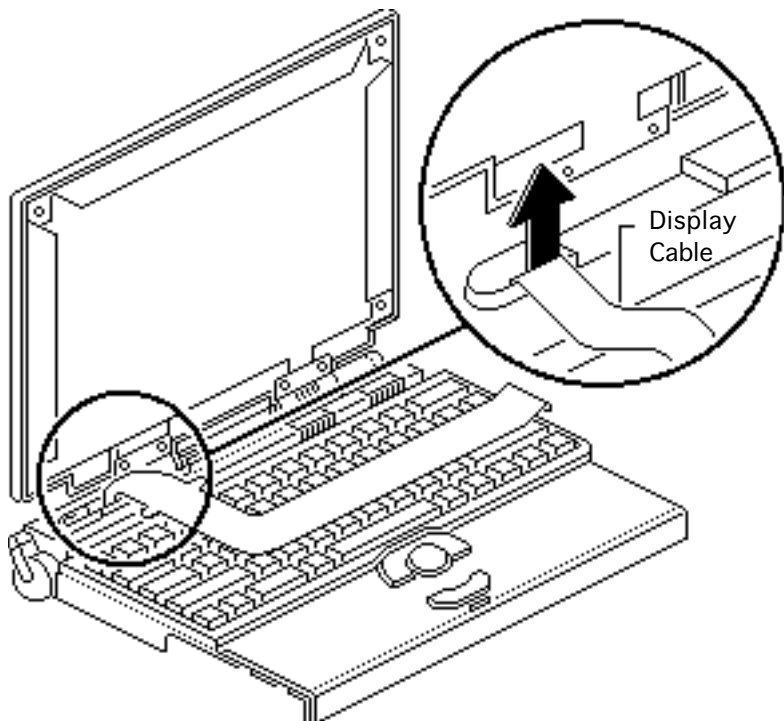




- 2 Pull off the center and left clutch covers.
- 3 Using a T-8 torx driver, remove the three mounting screws from the left clutch.
- 4 Remove the clutch from the display housing.

**Replacement Note:** Replace the short mounting screw in the top-inside clutch threading. The top-outside threading is used to mount the bezel.





- 5 Remove the display cable from the case.

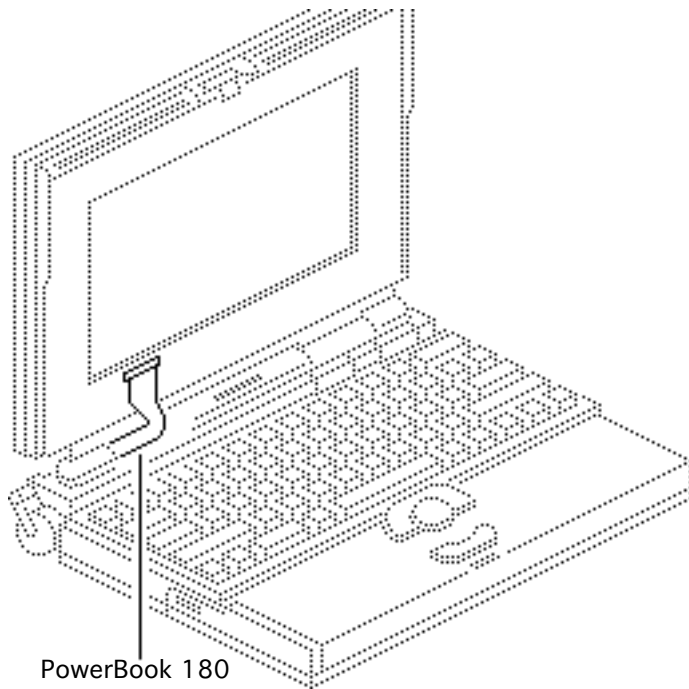




## PowerBook 180 Display Cable

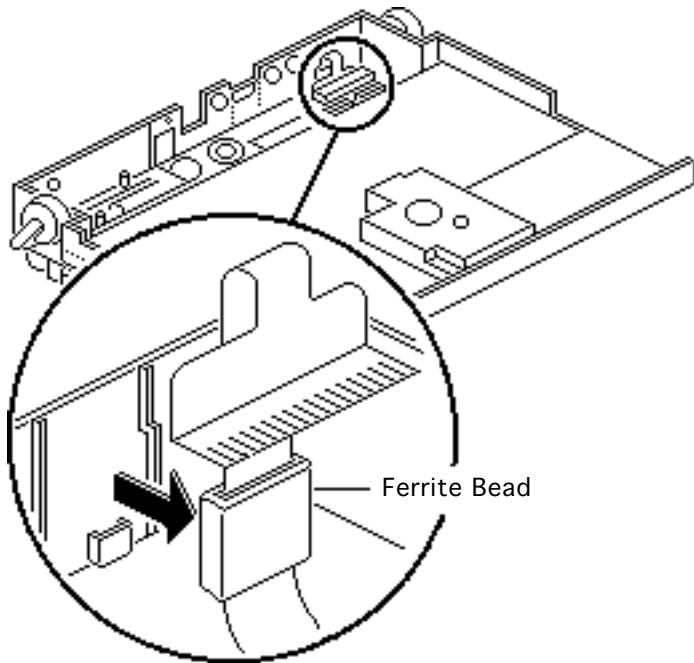
Before you begin, remove the following:

- Main battery
- I/O door
- Top case
- Inverter board
- Interconnect board
- Display bezel



PowerBook 180  
Display Cable



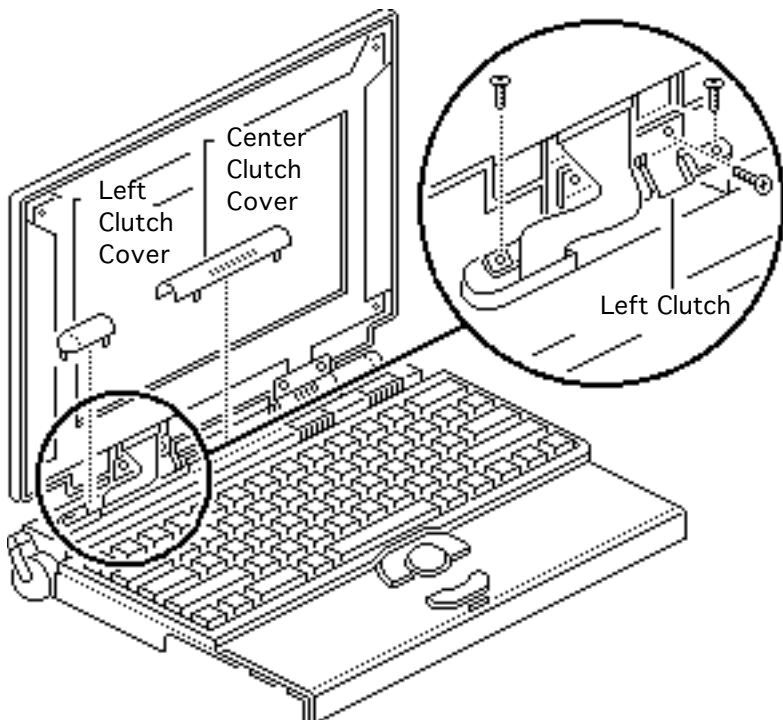


**Caution:** The PowerBook 180 contains CMOS devices that are very susceptible to ESD damage. Review the ESD precautions in Bulletins/ Safety.

**Caution:** The display cable is fragile and should be handled with care.

- 1 Pry the display cable ferrite bead from the case.



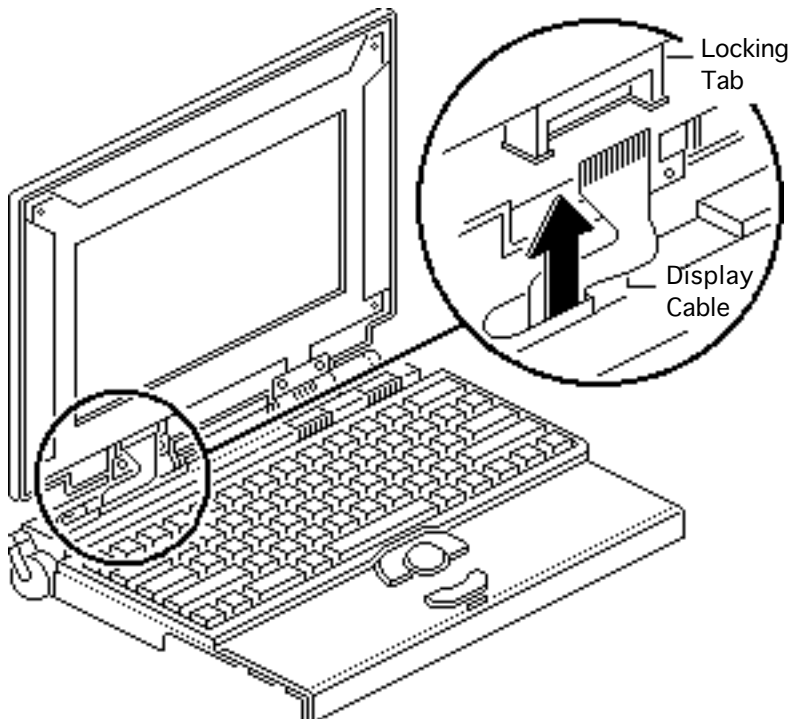


- 2 Pull off the center and left clutch covers.
- 3 Using a T-8 torx driver, remove the three mounting screws from the left clutch.
- 4 Remove the clutch from the display housing.

**Replacement Note:** Replace the short mounting screw in the top-inside clutch threading. The top-outside threading is used to mount the bezel.







- 5 Lift the locking tab on the display connector and disconnect the display cable.
- 6 Remove the display cable from the case.

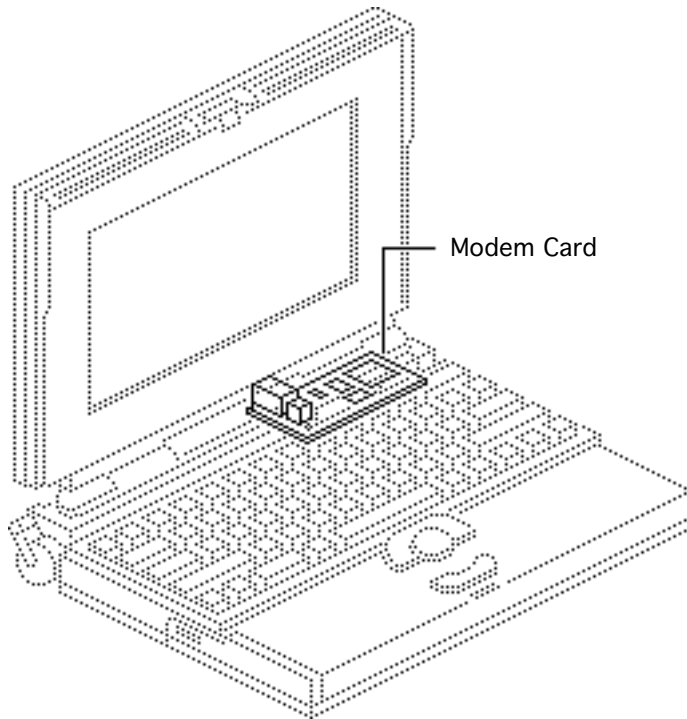




## Upgrades

PowerBook 160/165/180





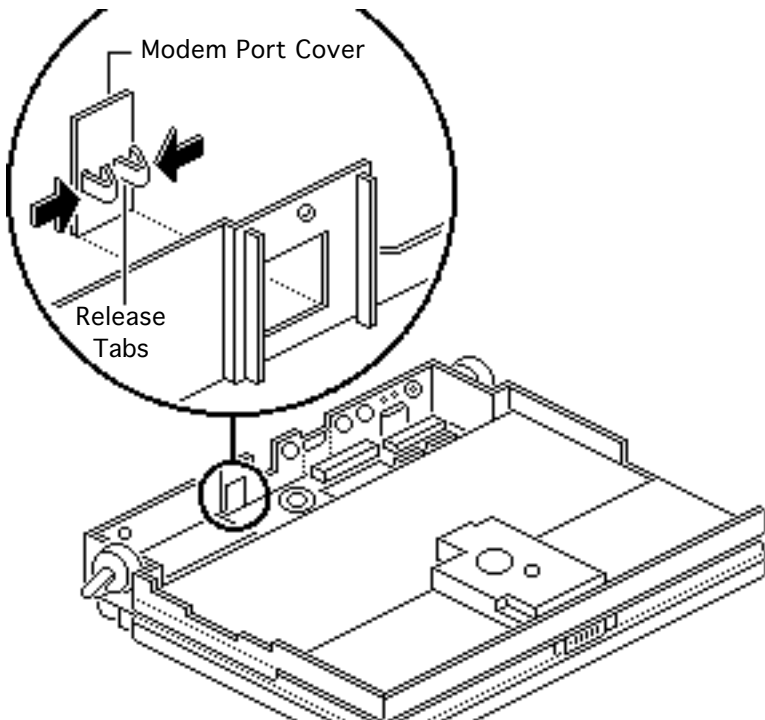
## Modem Card

Before you begin, remove the following:

- Main battery
- I/O door
- Top case

**Caution:** The PowerBook 160/165/180 contains CMOS devices that are very susceptible to ESD damage. Review the ESD precautions in Bulletins/Safety.



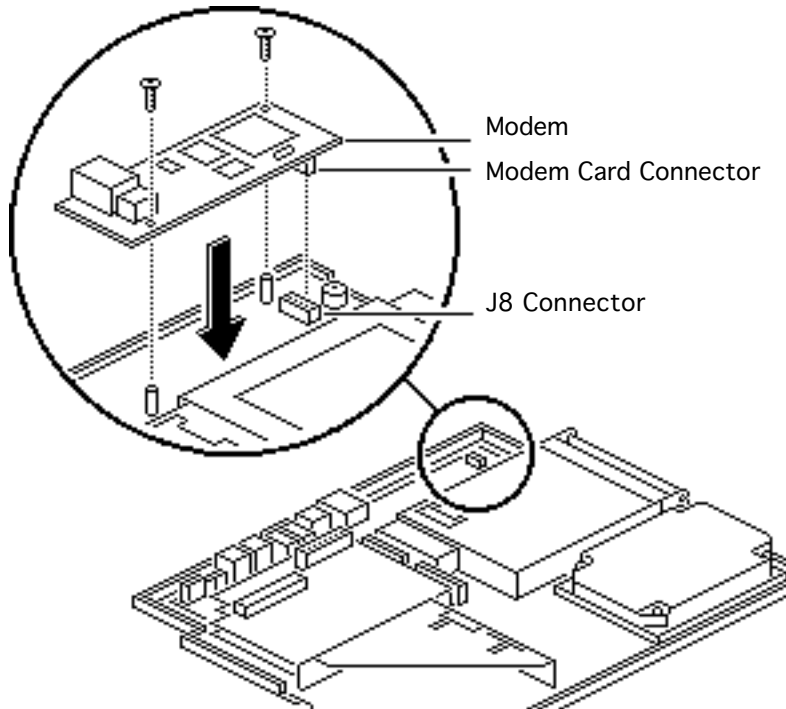


**Caution:** If you install a third-party modem card, make sure that it does not cover any of the heat sinks on the daughterboard or over the floppy drive.

**Note:** The modem card is an option for the PowerBook 160/165/180.

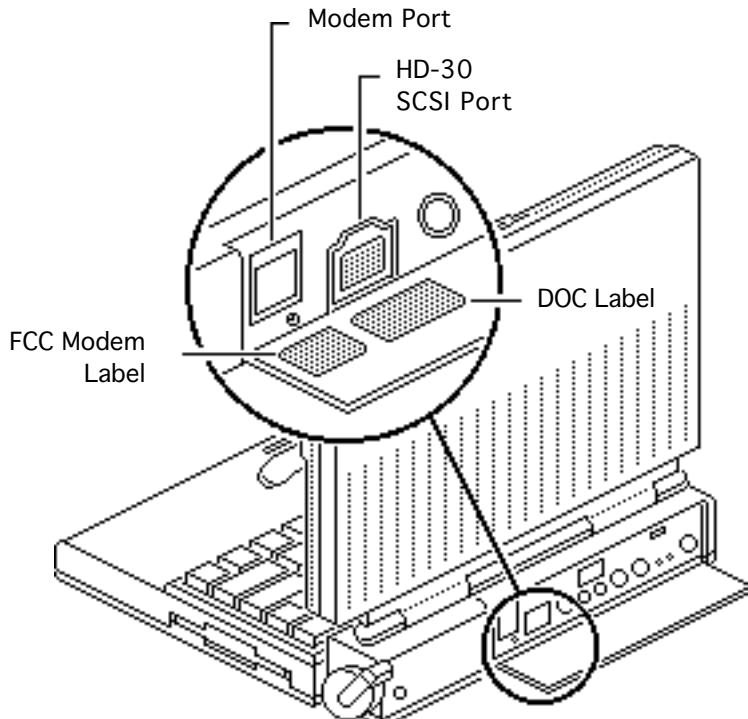
- 1 Pinch the release tabs and push out the modem port cover.





- 2 Connect the modem card connector to motherboard connector J8.
- 3 Install the two mounting screws.





- 4 Affix the FCC modem label to the inside of the I/O door. Align the label with the modem port.
- 5 Affix the DOC label to the inside of the I/O door. Align the label with the HD-30 SCSI port.



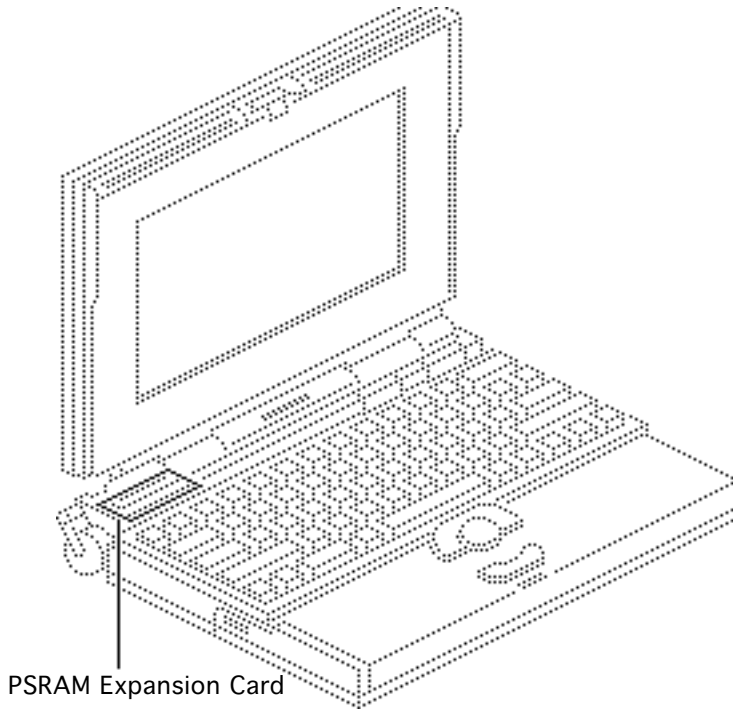


## PSRAM Expansion Card

Before you begin, remove the following:

- Main battery
- I/O door
- Top case

**Caution:** The PowerBook 160/165/180 contains CMOS devices that are very susceptible to ESD damage. Review the ESD precautions in Bulletins/Safety.



PSRAM Expansion Card





**Caution:** Handle the PSRAM card by the edges only. Do not touch any components on the card.

**Caution:** If you install a third-party expansion card, do not remove or cover up any of the heat sinks on the daughterboard. Operating the computer without the heat sinks significantly increases the chance of daughterboard failure.



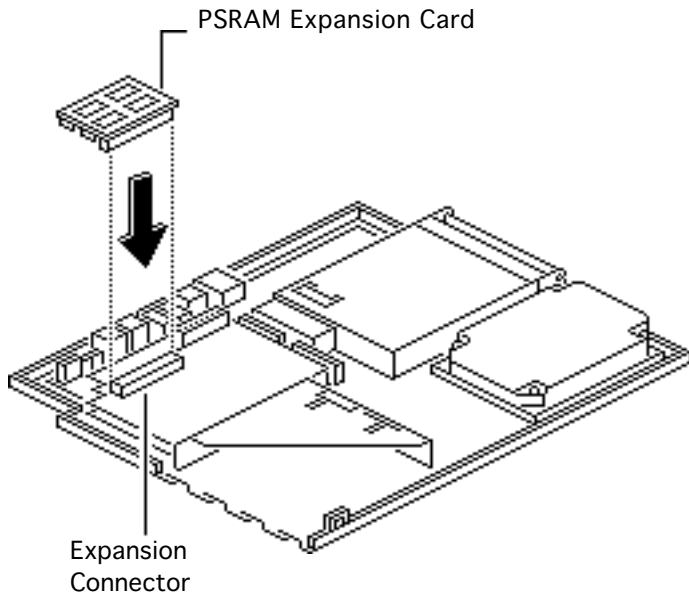




**Caution:** An incorrectly installed PSRAM card could damage the daughterboard. Note that the expansion connector and the PSRAM card are keyed for proper installation. Do not force the card into the connector, thereby defeating the key.

**Caution:** When installing the card, press down on the edge directly above the connector. Be careful not to apply pressure to any components or you may permanently damage the card.





- 1 Connect the PSRAM expansion card to the expansion connector on the daughterboard.





**Note:** To verify that the upgrade is successful, check the Total Memory message (for systems with virtual memory switched off) or the Built-in Memory message (for systems with virtual memory switched on). The memory size should be 4 MB of soldered RAM plus the RAM on the expansion card. If the memory size is incorrect, replace the expansion card. If the memory size is still incorrect, send the computer to Apple.



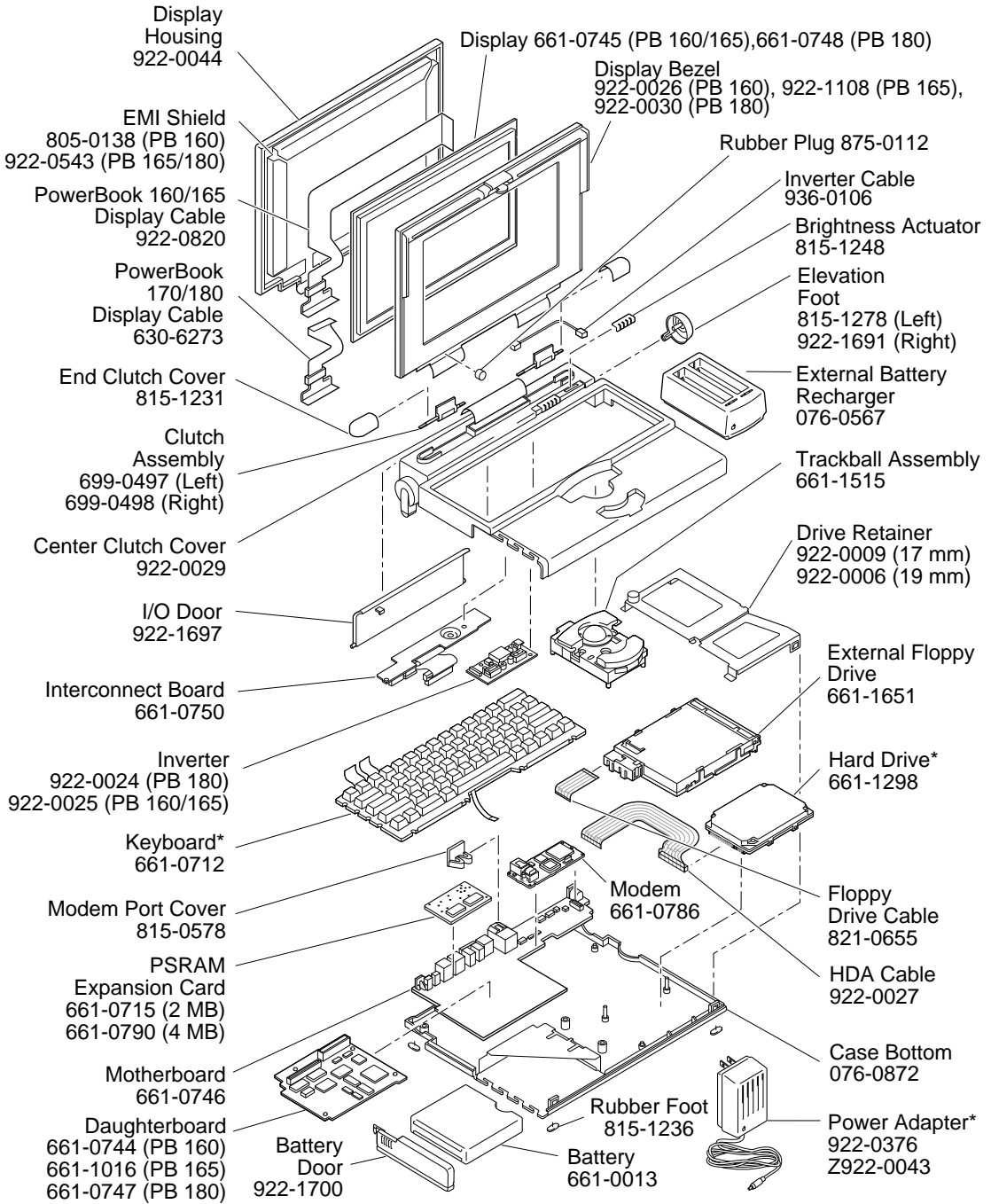


Exploded View

---

PowerBook 160/165/180





Product family configurations may vary. For parts with asterisk (\*), refer to parts list.

**Power Book 160, 165, 180**

